



Sonic Alert
America's Leader in Visual Alerting Systems.

Sonic Boom Alarm Clock & Bed Shaker with 5-Level Dimmer & USB Charging

Model SBT625ss



OPERATION INSTRUCTIONS

IMPORTANT – Please read these instructions carefully before use and retain for future reference.
See operating instructions on back.

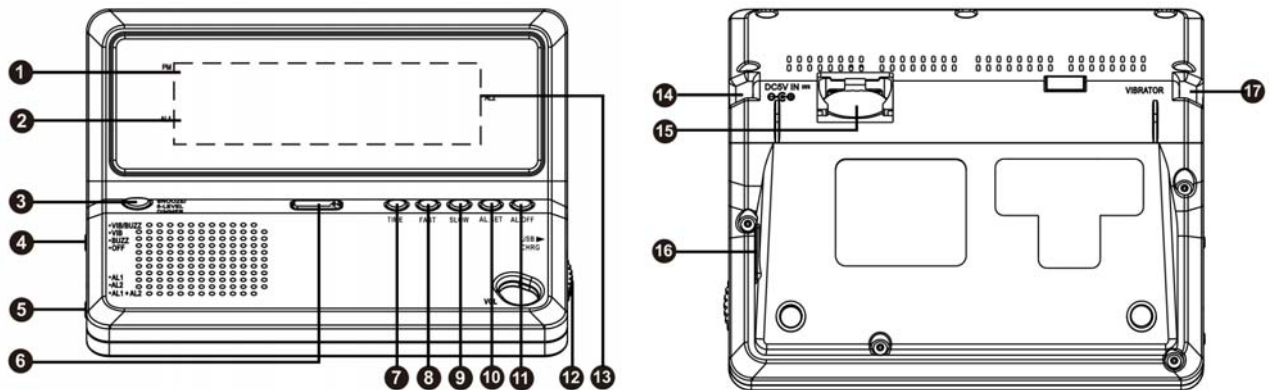
- Use only the supplied adaptor to connect the unit.

Warning: To prevent fire or shock hazard do not expose this appliance to rain or moisture.

Before connecting to mains make sure that the requirements specified on the apparatus corresponds to the available power supply i.e. AC100-240V~, 50/60 Hz.

- The ventilation should not be impeded by covering the ventilation openings with items such as, newspaper, table cloth, curtains, etc;
- No naked flame sources, such as lighted candles should be placed on the apparatus.
- It shall not be exposed to dripping or splashing and that no objects filled with liquids, such as vases, shall be placed on the apparatus.
- Do not place the product in closed bookcases or racks without proper ventilation.
- Where the mains plug is used as the disconnect device, the disconnect device shall remain readily operable.

INSTRUCTIONS



Features show on diagram above:

1. PM indicator Time Set	10. AL. Set
2. Alarm 1 indicator	11. AL. OFF
3. Snooze / Dimmer	12. Volume
4. Alarm Mode Switch (Off, Buzz, VIB)	13. Alarm 2 Indicator
5. Alarm Selector (AL1, AL2)	14. DC5V input
6. Tone Slider	15. Back Up Battery Cover
7. Time	16. USB Charging
8. Fast	17. Vibrator Input
9. Slow	

Test Mode:

- 1) Press and hold the **Snooze (3)** and **Time buttons (7)** for 3 seconds to enter the Test Mode. The display will show "7ES7" to indicate it is in TEST Mode. To demonstrate the unit function as follows:
 - a) Slide the **Alarm Mode Switch (4)** at OFF position, there will be a „VEE“ sound.
 - b) Slide the **Alarm Mode Switch (4)** at BUZZ position, there will be a „BEEP“ sound.
 - c) Slide the **Alarm Mode Switch (4)** at VIB position, the vibrator will vibrate.
 - d) Slide the **Alarm Mode Switch (4)** at BUZZ & VIB position, there will be a „BEEP“ sound and the vibrator will vibrate.
- 2) If within 1 minute no button is pressed, then it will exit the Test Mode and return back to the Time Mode.
- 3) To exit the Test Mode immediately, press any button (except the Snooze & Time buttons, which has no effect).

Setting the correct time –

- 1) Press and hold the **Time Button (7)** at the same time press the **Fast Button (8)** to advance the clock display rapidly until the hour is correct.
 - 2) Press and hold the **Time Button (7)** at the same time press the **Slow Button (9)** to advance the clock display rapidly until the minute is correct.
- A **lighted dot (1)** in the upper left of the clock display indicated the time is PM. For AM time indication, the dot does not light up.

Setting the Alarm Time –

Setting Alarm 1

- 1) Slide the **ALARM SELECTOR SWITCH (5)** to AL1 position, the alarm indicator **AL1 (2)** will light up.
- 2) Press and hold the **ALARM SET (10)** and the **FAST Button (8)** or the **SLOW button (9)** to advance the clock display until you reach desired alarm setting.

- 3) Make sure alarm time is correctly set for AM or PM (1).

Setting Alarm 2

- 1) Once alarm AL1 has been set, slide **ALARM SELECTOR SWITCH (5)** to AL2 position. , the alarm indicator **AL2 (13)** will light up.
- 2) Press and hold the **ALARM SET (10)** and the **FAST Button (8)** or the **SLOW button (9)** to advance the clock display until you reach desired alarm setting.

Selecting 12 or 24 hours format –

Press and hold the **Fast button (8)** for 6 seconds to enter the hour selection mode, release the **Fast button (8)** when the display shows "12 H" or "24 H". Short press the **FAST button (8)** to toggle between 12 or 24 hours. If no selection is made within 4 seconds, then the last displayed hour format will be chosen and the display will return to the normal Time mode.

Alarm –

To Enable Alarms:

Slide the **Alarm Mode Switch (4)** to your desired position:-

- a) "OFF" for Alarm off
- b) "BUZZ" for sound
- c) "VIB" for bed shaker
- d) "VIB/ BUZZ" for both sound and bed shaker

NOTE: once the wake up mode is chosen, this will apply to both alarms.

To Select Alarm

- 1) slide the **ALARM MODE SWITCH (5)** to AL1 position, the alarm indicator "**AL1**" (2) will light up to indicate Alarm 1 is activated.
- 2) slide the **ALARM MODE SWITCH (5)** to AL2 position, the alarm indicator "**AL2**" (13) will light up to indicate Alarm 2 is activated.
- 3) slide the **ALARM MODE SWITCH (5)** to AL1+AL2 position, the alarm indicator "**AL1**" (2) and "**AL2**" (13) will light up to indicate both Alarm 1 and Alarm 2 are activated.

Alarm Patterns –

When the alarm is activated, alarm pattern of the buzzer / flashing display will be out of sync with the vibrator. This means that when the buzzer / flashing display is ON, the vibrator will be OFF and while the buzzer/ flashing display is OFF, the vibrator will be ON.

ALARM 1 - When Alarm 1 is activate, it will have 3 beeps, then vibrate. This pattern is repeated until the alarm is stopped.

ALARM 2 - When Alarm 2 is activate, it will have 4 beeps, then vibrate. This pattern is repeated until the alarm is stopped.

Adjusting The Alarm Duration Time

The default alarm duration time setting is 30 minutes, you may adjust the alarm duration between 1 minute and 59 minutes as desired. To adjust the alarm duration:

- Press and hold the **AL. SET button (10)** for six seconds. The clock display will show the default alarm duration as '30', release the AL. SET button.
- Press the **SLOW button (9)** to adjust the alarm duration to the desired setting, from 1 minute to 59 minutes.
- When the display is showing the desired alarm duration time, it will return to the normal clock mode after 3 seconds. The new alarm duration time setting becomes the new default and remains in the memory until you change it again.

Shutting Off Alarm –

Alarm can be shut off temporarily for the day or shut off permanently.

- 1) When the alarm goes off, simply press the **AL Off button (11)** the alarm will shut itself off for the day and come back on at the same time the next day if the alarm setting has not changed.
- 2) To shut off the alarm permanently, slide **Alarm Mode Switch (8)** to OFF position. The alarm will not come on until **Alarm Mode Switch (8)** is set to other position.

Snooze Operation–

SNOOZE button (3) – press after alarm has sounded, the alarm will be turned off for 9 minutes for extra sleep. The alarm will come back again after 9 minutes. You may repeat many time up to 119 minutes .

Adjusting The Snooze Time

The default snooze time setting is 9 minutes but you may adjust the snooze time between 1 minute and 30 minutes as desired. To adjust the snooze time:

- Press and hold the **SNOOZE button (3)** for four seconds. The clock display will show the default snooze time '9'. Release the Snooze button.
- Press the **SLOW button (9)** to adjust the snooze time to the desired setting, from 1 minute to 30 minutes.
- When the display is showing the desired snooze time, it will return to the normal clock mode after 3 seconds. The new snooze time setting becomes the new default and remains in the memory until you change it again.

Volume –

To adjust the volume rotate the **Volume wheel (12)** until you have reach the desired level.

Tone –

Adjust the tone by slide the **Tone slider (6)** until you have reach the desired level.

Dimmer Operation

There is a 5-level brightness control for the LED display. Press the **SNOOZE button (3)** once to change the display brightness. The brightness will cycle from 5-4-3-2-1-2-3-4-5 (from bright to dim then from dim to bright).

***NOTE*: The dimmer function will not work, when the clock is in snooze mode.**

Bed Shaker / Vibrator

- 1) Attach the bed shaker jack to the back of the clock at **VIBRATOR input (17)**.
- 2) Place vibrator under mattress or pillow.

USB Charging

This alarm clock is equipped with a convenient USB charging port on the back panel that allows you to recharge many brands of mobile phones, portable music players, and other handheld devices that are supplied with USB charging cables. The output rating of the USB charging port is 500mA.

To charge your device, connect the USB charging cable that was supplied with your handled device to the **USB charging port (16)** on the back panel of this alarm clock. Observe the charging indicator on your device to confirm that it is charging.

Note: Charging time will vary depending on the charging current that your device requires.


Therefore some devices will take longer to charge than others.

Battery Backup –

To use the battery backup, you can install 1 pieces of CR2032 battery at the back of the clock under the **battery cover (15)**. Please note the LED display will not show during power failure but the clock will still be running and keeping proper time until the power is restored.


NOTE: For the best results it is recommended that the battery be changed every 6-8 months. If the clock is not used for a while, it is recommended to remove the battery to avoid leakage.

DC 5V Power Input –



Attach the DC power supply input to the back of clock labeled **DC5V  IN (14)** .

GENERAL DATA

UL listed Power Adaptor: AC100-240V~, 50/60Hz


Power Consumption: Adaptor Output: DC5V , 800mA

USB Charging Port Rating: 500mA

 <p>The Lightning flash and arrowhead within the triangle is a warning sign alerting you of dangerous voltage inside the product.</p>	<p>CAUTION: TO REDUCE THE RISK OF ELECTRICAL SHOCK, DO NOT REMOVE THE COVER (OR BACK) FROM THE PRODUCT. NO USER SERVICEABLE PARTS INSIDE. REFER SERVICING TO YOUR SONIC ALERT DEALER.</p>	 <p>The exclamation mark within the triangle is a warning sign alerting you of important instructions accompanying the product.</p>
--	--	--

WARNING: TO PREVENT FIRE OR SHOCK HAZARD, DO NOT EXPOSE THIS APPLIANCE TO RAIN OR MOISTURE.

Normal function may be disturbed by strong electromagnetic interference. If this is the case, normal function can be resumed by simply unplugging and plugging of the power adaptor. If function does not resume, try moving the unit to another location.

- Attention should be drawn to the environmental aspects of battery disposal.
-  this indicating separate collection for electrical and electronic equipment.

SONIC ALERT'S 1 YEAR LIMITED WARRANTY

The Sonic Boom Alarm Clock is warranted against manufacturing defects in materials and workmanship for one (1) year from the date of purchase. Within this period Sonic Alert will repair or replace at our option without charge for parts and labor. Simply contact our customer service department to obtain an RA (return authorization number) and instructions on how to process your product for return. Call 1-888-864-2446 or e-mail to RMA@sonicalert.info. You'll need a copy of your receipt to process the return authorization.

Sonic Alert Warranty Center, 1081 West Innovation Dr., Kearney, MO 64060

Sonic Alert

Sonic Alert 1050 East Maple Rd. Troy, MI 48083

www.SonicAlert.com 1-888-864-2446

Made in China