

# RCx-1000

## Remote Control Speakerphone Operating Guide



Model  
**RCx-1000**

Please read this operating guide carefully before use and keep it for future reference. If you have any questions, please contact our Customer Care Department.

Telephone: (562)-407-5400 Fax: (562)-483-2087

**Toll-Free Help Line: (866)-376-9271 (8AM-5PM PST, M-F)**

### **FOR BEST PERFORMANCE AND MAINTENANCE:**

The remote control uses radio waves to communicate with the main unit. Do not place the unit on or next to a metal surface, and must be away from electronic appliances such as TVs, radios, personal computers, wireless devices, or other phones, which can cause interference to the wireless signal. Also, if possible, place the unit facing away from radio frequency transmitters, such as external antennas of mobile phone cell stations.

The remote control range and voice quality of the RCx-1000 unit depends on the environment that it is used. If the reception control is not satisfactory, try moving the unit to another location, and avoid placing the unit near a window.

Keep the unit plugged into the electrical outlet at all times, except when cleaning. This will automatically recharge the optional back-up batteries, and keep the unit operational for incoming calls. It is recommended to use a surge protector to prevent damage to the RCx-1000 in case of power surges or electrical storms.

### **IMPORTANT SAFETY INSTRUCTIONS:**

#### **Warning:**

When using telephone equipment or electric appliances, basic precautions should always be followed to reduce the risk of fire, electrical shock and injury to persons, including the following:

1. To reduce the risk of injury, close supervision is necessary when a telephone is used near children.
2. Do not drop or subject the unit to high impact.
3. Do not contact moving parts or any exposed metal surface.

**IMPORTANT SAFETY INSTRUCTIONS** (CONT):

4. Unplug from outlet when not in use and before servicing or cleaning.
5. Do not use outdoors. Do not use near water.
6. To disconnect, turn all controls to the off position, then remove plug from outlet.
7. Do not unplug by pulling on cord. To unplug, grasp the plug, not the cord.
8. Do not operate any appliance with a damaged cord or plug, or if the telephone malfunctions or is dropped or damaged. Return telephone to the nearest authorized service facility for examination, repair, or electrical or mechanical adjustment.
9. Use only the power cord and batteries indicated in the manual. Do not dispose of batteries in fire, they may explode. Check local codes for possible special disposal instructions. Do not open or mutilate the battery. The released electrolyte is highly corrosive and may cause eye or skin damage and may be toxic if swallowed. Be careful when handling batteries to not short the battery with such conducting materials as rings, bracelets or keys. Shorting a battery can be dangerous causing the battery to overheat and cause burns.

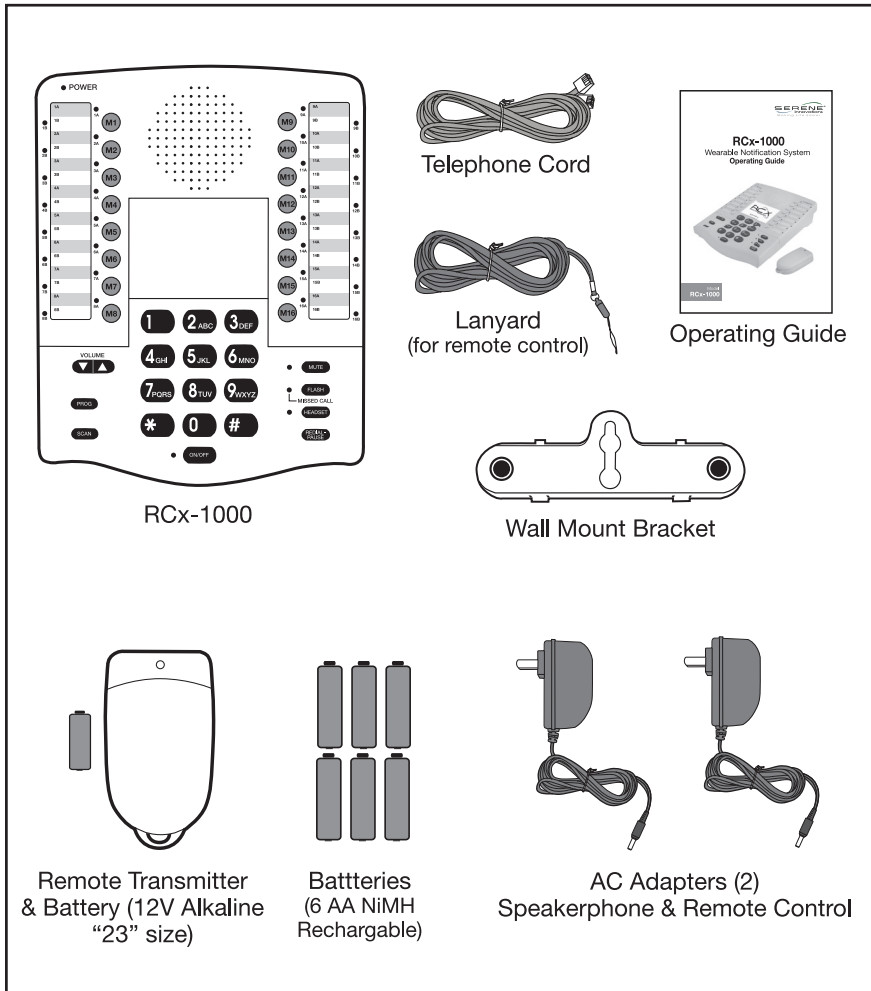
**Warning:**

For safety consideration, before changing batteries, always disconnect telephone cord to wall jack.

10. Plug the power adapter into the socket-outlet that is nearest the equipment and easily accessible.
11. Avoid using any telephone product during an electrical storm. There may be a remote risk of electric shock from lightning.
12. Do not use the telephone to report a gas leak in the vicinity of the leak.
13. Only use attachments recommended or sold by the manufacturer.

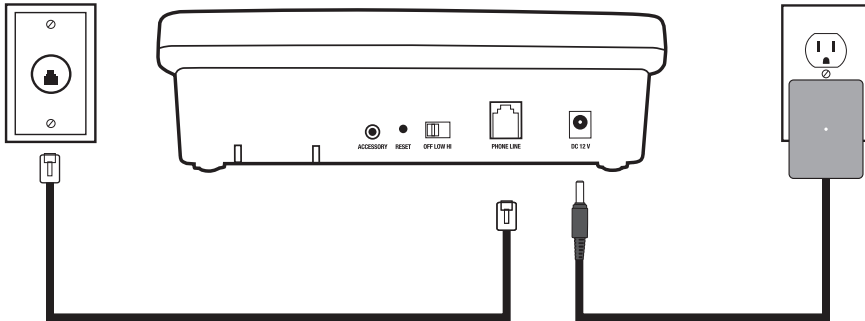
## PACKAGE CONTENTS:

Your package includes all the items as shown here. If there is anything missing, please contact our Customer Care Department immediately.



## CONNECTIONS:

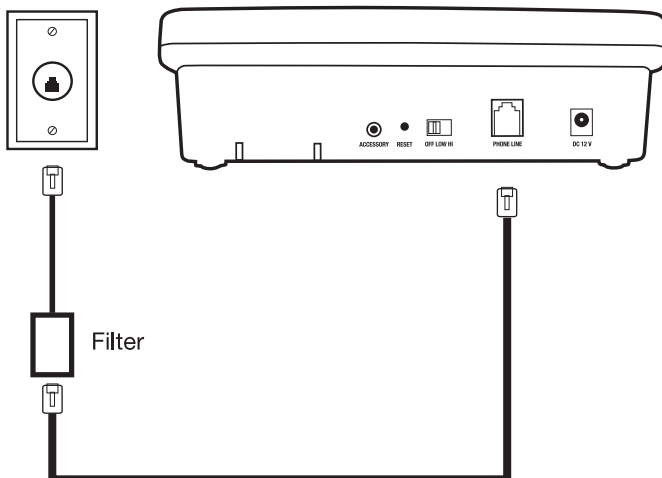
Connect your telephone as shown. When finished, press the On/Off to test. If you hear a dial tone, your telephone is ready. If not, check all connections.



## PHONE LINES WITH DSL SERVICE:

Phone lines “bundled” with Internet service

- The DSL signal may interfere with the operation of the speaker-phone feature of this telephone.
- We recommend purchasing a DSL filter and inserting it into the wall jack to minimize signal interference. (DSL filters can be sourced through electronics stores.)



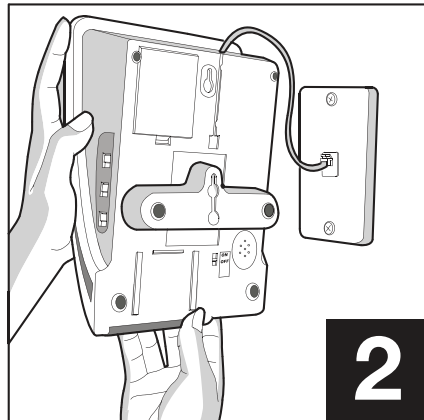
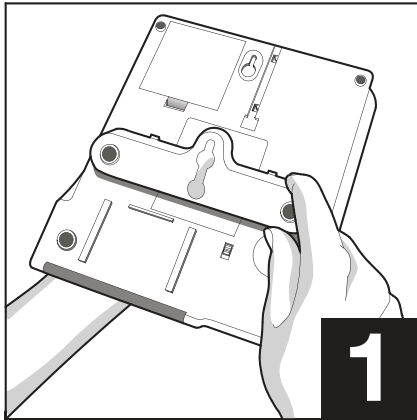
**VOIP:**

(Voice over Internet Protocol) Telephone Service

All Serene telephones are compatible with typical VoIP services when used with an analog telephone terminal adapter provided by your VoIP service provider. However, you may occasionally encounter a rare voice quality problem where a VoIP call may not be as clear or as loud as you like. In this case, we recommend hanging up and recalling your party.

**WALL MOUNTING (OPTIONAL):**

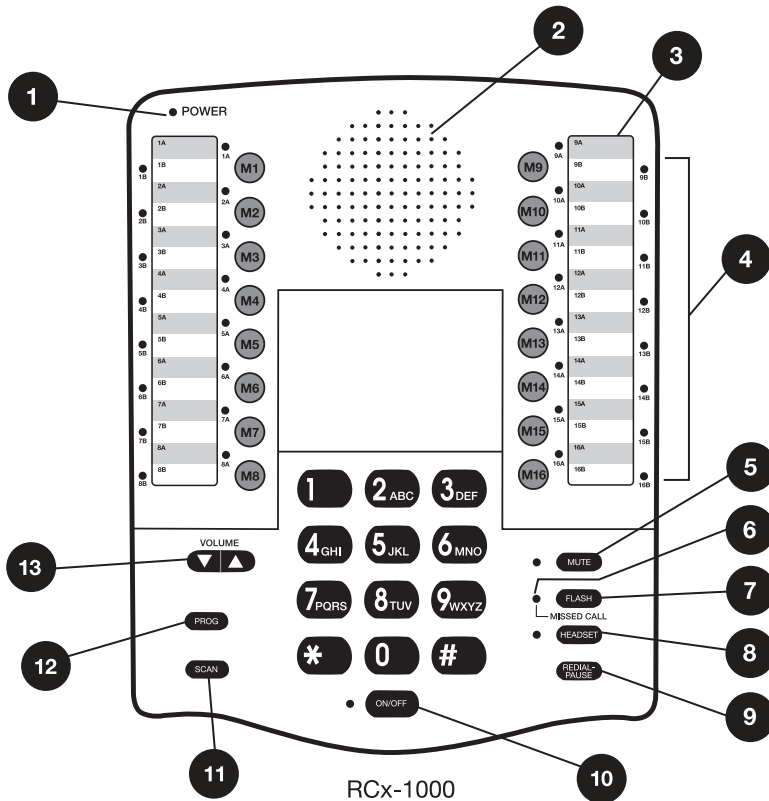
1. Fit the wall mount bracket into the base of the telephone.
2. Connect and use a short telephone cord (user provided). Align and put the mounting holes over the heads of the wall plate screws (make sure the screw head protrudes enough, if not, use a screwdriver to adjust), and slide the telephone downward slightly to lock the telephone in place.

**FACTORY PRESETS:**

The RCx-1000 comes with the following operating settings from the factory:

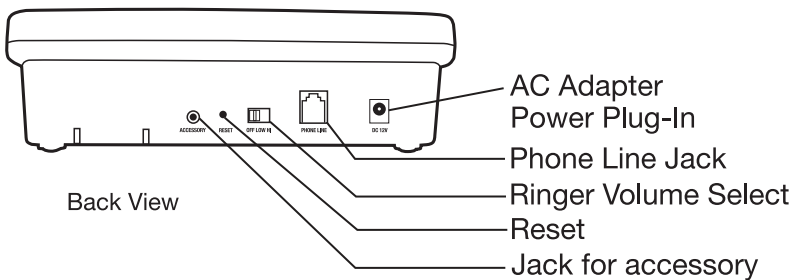
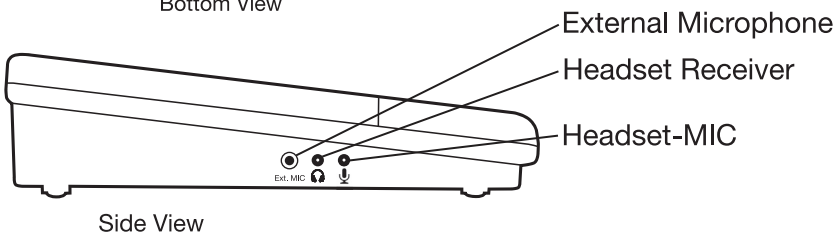
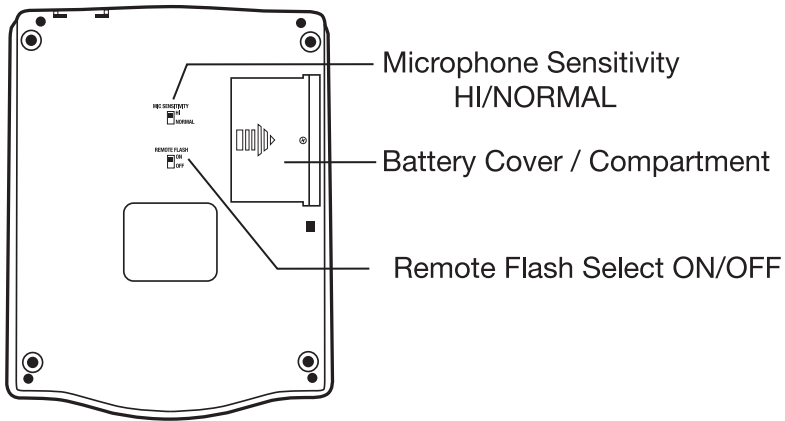
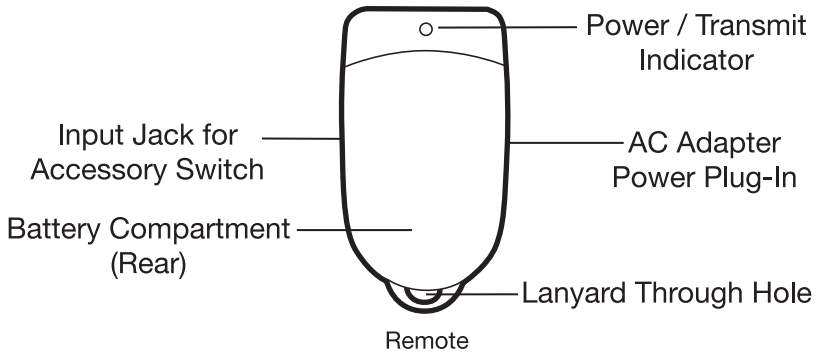
1. Scan rate is 1.5 seconds per memory location.
2. Voice activated answer function **-OFF**
3. Voice Mail / Missed call indicator is enabled – **OFF**.
4. Ring volume switch set to **HI**.
5. “0” Operator is programmed into first memory location M1.
6. Remote flash switch is disabled – **OFF**.

## FEATURE IDENTIFICATION :



1. Power Indicator
2. Speaker
3. Memory Directory (both sides)
4. Memory Indicators (both sides)  
Memory Buttons (M1-M16)  
(Each button contains A/B for a total of 32 entries)
5. Mute Button / Indicator
6. Missed Call Indicator
7. Flash Button
8. Headset Button / Indicator
9. Redial / Pause
10. On / Off Button / Indicator
11. Scan Button
12. Program Button
13. Volume Control Up / Down

## FEATURE IDENTIFICATION (CONT):





## SETTING UP THE RCx-1000:

### Main Unit

Six(6) AA NiMH rechargeable batteries have been pre-installed. Pull out and remove the battery tab to engage the batteries, and then charge for at least 12 hours. Connect the unit with the AC adapter.

### PLEASE NOTE:

The batteries are for backup purposes in case of a power outage, If the batteries need to be replaced, remove the security screw and open the battery compartment door as shown.

**DO NOT USE NON-RECHARGEABLE** batteries. They will damage the unit and void the warranty.

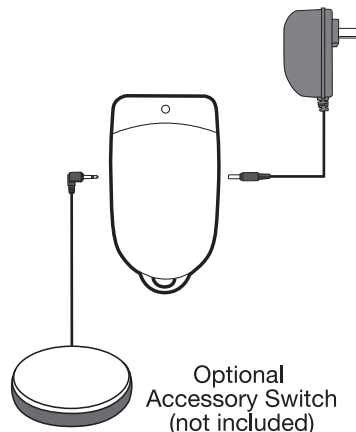
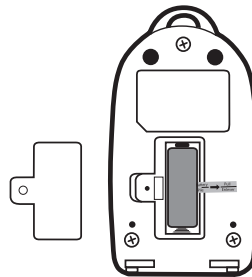
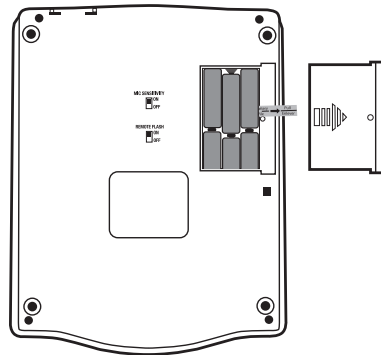
### Remote Control Unit

The remote control unit can be powered by an AC adapter with battery backup. With AC adapter, under normal application and usage, it can extend the life of the battery and lessen the need to replace the battery.

The battery has been pre-installed. Pull out and remove the battery tab to engage the battery. If the battery needs to be replaced, remove the security screw and open the battery compartment door as shown.

Normal battery usage will last about 6-12 months. If the power indicator light is dim or does not come on when the remote button is pressed, check the AC adapter, and replace the battery.

An optional accessory switch can also be used with the remote unit.



Optional  
Accessory Switch  
(not included)

## SETTING UP THE RCx-1000 (CONT):

### Pairing Remote Control with Telephone

1. With RCx-1000 idle, press and hold the **FLASH** button until a long “beep” sound is heard and the indicator next to the button is flashing.
2. Press and hold the remote control button until a “beep” sound is heard from both the remote control and the RCx-1000. Pairing is complete.

#### NOTE:

- a. The pairing period is available for 20 seconds only.

### Setting the Scan Timing

All memory locations that have telephone numbers stored will be automatically scanned when the RCx-1000 is activated, either by pressing the SCAN button on the unit, by the remote control or from an attached accessory to the unit.

1. Press the **PROGRAM** button.
2. Select the scan pause time between stored memory locations. Press the corresponding number key one time.
3. Press the **SCAN** button to confirm.

| KEY | Pause between Memory (Seconds) |
|-----|--------------------------------|
| 1   | 5                              |
| 2   | 4.5                            |
| 3   | 4                              |
| 4   | 3.5                            |
| 5   | 3                              |
| 6   | 2.5                            |
| 7   | 2                              |
| 8   | 1.5                            |
| 9   | 1                              |
| 0   | Scan Function Off              |

## SETTING UP THE RCx-1000 (CONT):

### To Turn Voice Activation On/Off (Default is Off)

1. Press the **PROGRAM** button.
2. Press the **MUTE** button twice. The **MUTE** indicator will flash once and the unit will generate a long “beep” to confirm the function is turned On.
3. To turn off the voice activation function, repeat the above steps.  
**Please Note:** The **MUTE** indicator will not flash.

### To Turn Missed Call Indication On/Off (Default is OFF)

1. Press the **PROGRAM** button.
2. Press the **HEADSET** button twice. The **HEADSET** indicator will flash once and the unit will generate a long “beep” to confirm the function is turned On.
3. To turn off the function, repeat the above steps.  
**Please Note:** The **HEADSET** indicator will not flash.
4. The indicator (next to the FLASH button) will blink when missed call has been detected.

### To Turn Remote Flash Feature On/Off (Default is Off)

1. Slide the Remote Flash select switch on the bottom of the telephone
  - When **On**, press the remote control button to instruct the telephone to wait 3 seconds before hangup.
  - When **Off**, the unit will hang up when remote is pressed.

### For Volume Adjustments

1. Press the **VOLUME UP** or **VOLUME DOWN** button to increase or decrease the speaker volume of the telephone.
2. If headset is used and attached to the telephone, press the **VOLUME UP** or **VOLUME DOWN** button to increase or decrease the headset speaker volume.

## OPERATIONS :

Before operating the RCx-1000, make sure the telephone has the AC adapter power connected, the remote control is operational, and the telephone is properly set up from the previous section.

For best communication clarity, speak into the telephone about 12 inches away (30 cm) (and not to exceed 15 feet).

Place the telephone in an open area, away from any nearby materials that may obstruct the microphone. Do not place the telephone next to a loud audio sound source such as a radio or a TV speaker. Adjust the volume control buttons and ring select to best suit your hearing needs.

### Programming Numbers into Memory

The RCx-1000 can store up to 32 numbers, using 16 memory buttons for fast, one-touch dialing. **M1–M16** (each button can store 2 numbers)

1. Press the **PROGRAM** button.
2. Dial the telephone numbers (up to 32 digits).
3. Select a memory button to store the number. (**M1 - M16**)
  - Press once for the 1st position, the 1st indicator will be lit.
  - Press twice for the 2nd position, the 2nd indicator will be lit.
4. After 2 seconds, the telephone will sound a “beep” to confirm, and the selected memory indicator light will turn off.
5. To store another number in memory, repeat the above steps.
6. If an error was made, repeat the above steps to store again.
7. To erase a store memory number:
  - a. Press the **PROGRAM** button
  - b. Press the **FLASH** button
  - c. Press the memory location once (for the 1st position) or twice (for the 2nd position).

**Note:** During pre-dialing or programming memory locations, press the **Redial / Pause** button will insert a 2-second pause into the dialing sequence. For example, 9 P 7 2 2 8 8 5 0 where “P” represents a 2-second pause. This pause is needed to access an outside line on some business telephones.

## OPERATIONS (CONT):

### Answering Calls

1. Remote Control: Press the button once to answer. To end the call, press the remote button again. **OR**
2. **On/Off** button: Press the **On/Off** button on the main unit. To end the call, press the **On/Off** button again. **OR**
3. Voice Activation: Answer function (function must be **On**)
  - After 3 rings on the incoming call, say “Hello” loudly or whistle loudly towards the telephone’s microphone. (If a headset is used with the telephone, say “Hello” loudly or some sound into the headset's microphone).
  - To end the call, press the **On/Off** button or press the remote button or let the telephone turn itself off when it’s busy tone signal is detected.

**Please Note:** When the calling party ends a call, the telephone company switching office may or may not reestablish a dial tone or a busy tone on your line. It is recommended to press the **On/Off** button on the telephone, or press the remote control to end the call.

### Making Calls – With Remote Control (SCAN function On)

1. The RCx-1000 is not in use.
2. Press the remote control push button once.
3. The telephone will begin scanning and scroll all the memory buttons with stored numbers. The memory indicator lights will light up one by one with the preset scan pause timing.
4. When the desired memory location is lit, press the remote control push button once to select and it will stop further scanning. (Note: If after 3 cycles of memory scanning and the remote control did not make a selection, the **M1** (1st position) stored numbers will be dialed out.)
5. The telephone will turn on, and dial the stored numbers.
6. Press the remote control push button again once end up the call.

## OPERATIONS (CONT):

### Making Calls – With Remote Control (SCAN function Off)

1. The RCx-1000 is not in use.
2. Press the remote control push button once.
3. The telephone will turn **On** and dial the M1(1st position) stored number.

### Making Calls – Using the SCAN Button

To use the scan feature on the unit, the **SCAN** function has to be turned on. If the **SCAN** function is off, please refer to the earlier section regarding the setting of scan timing.

1. The RCx-1000 is not in use.
2. Press the **SCAN** button once.
3. The telephone will start scanning and scroll through all of the numbers stored in the memory. The memory indicator lights will light one by one (with the preset scan pause timing.)
4. When the desired memory location is lit, press the **SCAN** button to select, and it will stop further scanning. (Note: If after 3 cycles of memory scanning and the **SCAN** button did not make a selection, the **M1** (1st position) stored number will be dialed.)
5. The telephone will turn on, and dial the stored number in that memory location.
6. Press the **On/Off** button again to end the call.

### Making Calls - Dial from Keypad

1. Press the **On/Off** button, and wait for the dial tone.
2. Dial the telephone number using the keypad.
3. Press the **On/Off** button again to end the call.

### Making Calls - Dial from Memory Buttons(M1-M16)

1. Press a **MEMORY** button. Press once for the 1st position of **MEMORY(A)**, and twice for the 2nd position of **MEMORY(B)**. The indicator will be lit to show which position of **MEMORY** is selected.
2. The unit will turn on after 3 seconds, and dial the selected memory stored number.
3. Press the **On/Off** button again to end the call.

## OPERATIONS (CONT):

### Making Calls – Dial M1 (1st position)

- Press the **On/Off** button once. **OR**
- Press the **M1** button once. **OR**
- If the scan function is **Off**, press the remote button once; **OR**
- If the scan function is **On**, press the remote button once, to let the unit scan all memory locations for 3 cycles with no selection. At the end of 3 cycles the telephone will automatically dial the stored number in **M1**.

### REDIAL Last Numbers

#### Using the Remote Control:

1. The RCx-1000 is not in use.
2. Press and hold the remote control button for 2 seconds until the remote sounds a “beep”.
3. The telephone will turn on, and dial the last dialed number.
4. Press the remote control button again to end the call.

#### Using the REDIAL button on the unit:

1. Press the **On/Off** button, and wait for the dial tone.
2. Press the **REDIAL** button. The unit will dial out the last dialed numbers (maximum of 32 digits)
3. Press the **On/Off** button again to end the call.

### FLASH Button

The **FLASH** button is used to access special telephone functions and services available from your local telephone company, such as call waiting, 3-way calling and others. Please contact your telephone company for more information.

**Note:** The flash function can also be accessed by the remote control. Make sure the **Remote Flash Select** switch on the bottom of the main unit is switched to **ON**. During call conversations, a quick press on the remote control button **twice** in succession, within 3 seconds, will generate the flash function.

## **OPERATIONS** (CONT):

### **MUTE Button**

During a call conversation, press the **MUTE** button on the telephone once to mute the microphone for privacy. The mute indicator will light up while the mute function is enabled. Press the **MUTE** button again to un-mute the microphone. (The mute indicator will be off.)

### **HEADSET Button** (Headset not included)

During a call, press the **HEADSET** button once to transfer the conversation to the headset port. The microphone and speaker on the telephone will be disabled. The headset indicator light will light up.

Press the **HEADSET** button again to return the conversation to the telephone's microphone and speaker. The headset indicator light will turn off.

### **External Microphone**

The RCx-1000 provides an input jack for an external microphone. This feature provides an option for users who have weak voices to use a highly sensitive microphone and/or extend the microphone reception. The internal microphone will be disabled when the external microphone is used.

### **Air Switch and Other Switch Accessories**

The RCx-1000 provides an input jack for accessories, such as an air switch or a pillow switch. It is a simple close contact switch. The function will be the same as the remote control push button. Refer to the operation details using the remote control unit.



## **TROUBLESHOOTING :**

### **No dial tone**

- Check all phone line connections.

### **No power**

- Check power connections

### **Cannot dial out**

- Check all phone line connections and power connections

### **Cannot dial memory numbers**

- No numbers in memory

### **Remote Control not working**

- Check or replace battery in remote control
- Pair the remote control to the unit
- Make sure the telephone is not located on or near metal surfaces or electrical equipment

### **Cannot pair the remote control**

- Replace the remote control battery

### **No ringing on incoming calls**

- Check that ringer switch is not set to “OFF”

### **Does not scan through memory**

- Turn on the SCAN function on the unit

### **Memory scanning is too fast or too slow**

- Re-program the scan rate on the unit

### **Conversations cuts in and out**

- Try not to speak at the same time as the calling party.

## **CLEANING :**

1. Disconnect telephone from electrical outlet before cleaning. Use only a soft, dry cloth (or damp cloth with a mild detergent) to clean this unit. Do not use any solvents, chemicals or cleaning solutions containing alcohol, ammonia or abrasives on this unit.

## **OPTIONAL ACCESSORIES:**

The RCx-1000 and its remote control can be customized with accessories (which use a 3.5 mm plug for connection) to meet personal requirements and preferences. Accessory switches require a switch contact that must be “normally open” type and must momentarily close when activated. We invite you to contact us ( or your favorite supplier) for additional information or assistance regarding these accessories.

### **External Microphone:**

This highly sensitive microphone can be clipped to your collar. Ideal for those with weak voices.

### **Headset w/Microphone:**

Lightweight and comfortable to wear. Allows privacy, personal conversations. Ideal for business calls.

### **Air Switch:**

Control the functions of the RCx-1000 by blowing gently into the sensor. Attach to the rear of the RCx-1000 or to the remote control.

### **Pillow Switch:**

Control the functions of the RCx-1000 by gently pressing this switch with your arm, leg, head, shoulder or other body part.

### **Tread Switch:**

Use this pedal type switch to activate the RCx-1000.

### **Leaf Switch:**

Activate the RCx-1000 by flicking the lever of this accessory switch.

### **Lolly Switch:**

Control the RCx-1000 by applying a slight pressure to this switch's touch plate.

### **Pneumatic Switch/Sip n Puff:**

Pneumatic switch connects to the Sip n Puff. Blow or sip once into the mouthpiece of the Sip n Puff to activate the RCx-1000.

## SPECIFICATIONS :

### Power requirements for Telephone (optional for remote control)

AC adapter : Input .....100-240VAC, 50/60 Hz, UL listed

Output .....12VDC 500mA

### Backup Batteries:

Main Unit .....6-AA size NiMH rechargeable  
batteries (included)

Duration .....About 6 hours

Remote Control.....12V Alkaline battery “23A” size  
(included)

Duration.....About 6-12 months

Remote Control Frequency.....433.92 MHz, ASK

Remote Control Range.....About 80 feet

Flash Time.....600 msec.

Dimensions.....220 x 280 x 68 mm

Weight.....About 0.9 Kg

Temperature.....Operating: 0 to 30 C

Storage.....-10 to 40 C

Specifications are subject to change.

## WARRANTY SERVICE INFORMATION:

Your **RCx-1000 Remote Control Speakerphone** comes with a one year limited warranty. We warrant during this warranty period from the date of purchase to the original consumer that **RCx-1000 Remote Control Speakerphone** will be free from defects in materials and workmanship under intended home use. In the event that **RCx-1000 Remote Control Speakerphone** fails to function properly within one year of original purchase due to defects in materials or workmanship, return the unit (freight prepaid) with proof of purchase (sales receipt or packing slip, no exceptions) to Serene Innovations. Serene Innovations will either repair or replace the unit (with a refurbished unit or unit of equal condition) and return it to you (using UPS/USPS ground shipping) at no cost to you, if the unit is returned within 30 days of purchase. If the unit is returned after 30 days of purchase but within the warranty period, there will be a warranty handling charge of U.S. \$9.95 for each return.

**WARRANTY SERVICE INFORMATION** (CONT):

This warranty does not apply to any product that has been accidentally damaged due to: abuse, misuse, negligence, use on electrical frequency or voltage other than marked on product and/or described in this manual. Defects or errors caused by unauthorized alterations, repairs and/or tampering are also not covered by this warranty. This warranty gives you specific legal rights. You may have other legal rights that vary from state to state. If a defect covered by this warranty should occur, promptly contact a Customer Care Representative by phone or log on to [www.sereneinnovations.com](http://www.sereneinnovations.com) to obtain a Return Merchandise Authorization number and shipping instructions before returning the product to us. Any shipment without a RMA will not be accepted and will be returned to you at your expense.

Any authorized returned product must be accompanied with proof of purchase and a brief description of the problem. For out of warranty repair and service, please contact our Customer Care Department for directions.

**FCC INFORMATION FOR USA CUSTOMERS ONLY:**

This equipment complies with Part 68 of the FCC rules and the requirements adopted by the ACTA. On the bottom of this equipment is a label that contains, among other information, a product identifier of [US: XXXXXXXXX]. If requested, this number must be provided to the telephone company. If this equipment, causes harm to the telephone network, the telephone company will notify you in advance that temporary discontinuance of service may be required.

But if advanced notice isn't practical, the telephone company will notify the customer as soon as possible. Also, you will be advised of your right to file a complaint with the FCC if you believe it is necessary. The telephone company may make changes in this facility's equipment, operations or procedures that could affect the operation of the equipment. If this happens the telephone company will provide advanced notice in order for you to make the necessary modifications to maintain uninterrupted service. If you experience trouble with this equipment, disconnect it from the network until the problem has been corrected or until you are sure that the equipment is not malfunctioning. Please follow instructions for repair, if any (e.g., battery replacement section); otherwise do not alternate or repair any parts of device except as specified. Connection to party line service is subject to state tariffs.

## **FCC INFORMATION FOR USA CUSTOMERS ONLY** (CONT):

Contact the State Public Utility Commission, Public Service Commission or Corporation Commission for information. If the telephone company requests information on what equipment is connected to their lines, inform them:

- A. The telephone number that this unit is connected to,
- B. The ringer equivalence number [REN],
- C. The USOC jack required [RJ11C], and
- D. The FCC Registration Number [US: XXXXXXXXX].

Items (B) and (D) are indicated on the label. The ringer equivalence number (REN) is used to determine how many devices can be connected to your telephone line. In most areas, the sum of the RENs of all devices on any one line should not exceed five (5.0). If too many devices are attached, they may not ring properly.

### **This equipment complies with Part 68 of the FCC Rules.**

On the equipment is a label that contains, along with other information, the FCC Registration Number and Ringer Equivalence Number (REN) for this equipment. If requested, this information must be provided to your telephone company.

This equipment uses the following Universal Service Order Codes ("USOC") jacks: RJ-11. Connection to the telephone network should be made by using standard modular telephone jack type RJ11.

The REN is useful to determine the quantity of devices you may connect to your telephone line and still have all of those devices ring when your telephone number is called. In most, but not all areas, the sum of the RENs of all devices connected to one line should not exceed five (5.0). To be certain of the number of devices you may connect to your line, as determined by the REN, contact your local telephone company to determine the maximum REN for your calling area.

If your telephone equipment causes harm to the telephone network, the telephone company may discontinue your service temporarily. If possible, they will notify you in advance. But if advanced notice is not practical, you will be notified as soon as possible. You will be informed of your right to file a complaint with the FCC.

Your telephone company may make changes in its facilities, equipment, operations or procedures that could affect the proper functioning of your equipment. If they do, you will be notified in advance to give you an opportunity to maintain uninterrupted telephone service.

In the event this equipment should fail to operate properly, disconnect the unit from the telephone line. Try using another FCC approved telephone in the same telephone jack. If the trouble persists, call the telephone company repair service bureau.

If the trouble persists and appears to be with this unit, disconnect the unit from the telephone line and discontinue use of the unit until it is repaired. For repair or

## FCC INFORMATION FOR USA CUSTOMERS ONLY (CONT):

warranty information, please contact Serene Innovations, Inc. at 562- 407 5400. Please note that the telephone company may ask that you disconnect this equipment from the telephone network until the problem has been corrected or until you're sure that the equipment is not malfunctioning.

There are no user serviceable parts in this equipment.

This equipment may not be used on coin service provided by the telephone company. Connection to party lines is subject to state tariffs. Contact the state Public Utility Commission, Public Service Commission for information.

If your home has specially wired alarm equipment connected to the telephone line, ensure the installation of this equipment does not disable your alarm equipment. If you have questions about what will disable alarm equipment, consult your telephone company or a qualified installer.

### Part 15 of FCC Rules Information

This device complies with Part 15 of the FCC rules. Operation is subject to the following two conditions: (1) this device may not cause harmful interference, and (2) this device must accept any interference received, including interference that may cause undesired operation. This equipment has been tested and found to comply with the limits of a Class B digital device, pursuant to Part 15 of FCC rules. These limits are designed to provide reasonable protection against harmful interference in residential installation.

This equipment generates, uses, and can radiate radio frequency energy and, if not installed and used in accordance with the instructions, may cause harmful interference to radio communications. However, there is no guarantee that interference will not occur in a particular installation. If this equipment does cause harmful interference to radio or television reception, which can be determined by turning the equipment off and on, you may try one the following methods to correct the interference:

1. Where it can be done safely, re-orient the receiving television or radio antenna.
2. To the extent possible, relocate the television, radio, or other receiver, with respect to the cordless phone.
3. Connect the cordless phone AC adapter into a different electrical outlet.
4. Consult the dealer or an experienced radio/TV technician for help. Modification: Any modification not expressly approved by the manufacturer of this device could void the user's authority to operate the device.

**NOTICE: The Industry Canada label identifies certified equipment.** This certification means that the equipment meets telecommunications network protective, operational, and safety requirements as prescribed in the appropriate Terminal Equipment Technical Requirements document(s). The Department does not guarantee the equipment will operate to the user's satisfaction.

**FCC INFORMATION FOR USA CUSTOMERS ONLY** (CONT):

Before installing this equipment, users should ensure that it is permissible to be connected to the facilities of the local telecommunications company. The equipment must also be installed using an acceptable method of connection. The customer should be aware that compliance with the above conditions may not prevent degradation of service in some situations. Repairs to certified equipment should be coordinated by a representative designated by the supplier. Any repairs or alterations made by the user to this equipment, or equipment malfunctions, may give the telecommunications company cause to request that the user disconnect the equipment. Users should ensure, for their own protection, that the electrical ground connections of the power utility, telephone lines, and internal metallic water pipe system, if present, are connected together. This precaution may be particularly important in rural areas.

**Caution:** Users should not attempt to make such connections themselves, but should contact the appropriate electric inspections authority, or electrician, as appropriate. The REN for this amplified telephone is stated on the IC regulatory label located on the bottom of the product.

**NOTICE:** The Ringer Equivalence Number (REN) assigned to each terminal device provides an indication of the maximum number of terminals allowed to be connected to a telephone interface. The termination on an interface may consist of any combination of devices, subject only to the requirement that the sum of the Ringer Equivalence Numbers of all the devices does not exceed 5.

This Class B digital device complies with Canadian ICES-003.

# RCx-1000

## Haut-Parleur Avec Télécommande

### Guide d'Utilisation



Modèle  
**RCx-1000**



Veillez d'abord lire attentivement ce guide d'utilisation et le conserver pour une référence future. Si vous avez des questions, veuillez contacter notre Service Clientèle.

Téléphone: (562)-407-5400 Fax: (562)-483-2087

**Ligne d'Assistance Gratuite : (866)-376-9271 (8AM-EPM PST, Lun-Ven)**

## **POUR DE MEILLEURS ASSISTANCE ET ENTRETIEN:**

La télécommande utilise des ondes radio pour communiquer avec l'unité principale. Ne placez pas l'unité sur ou près d'une surface métallique, et tenez-la éloignée des appareils électroniques tels que les téléviseurs, radios, ordinateurs personnels, appareils sans fil ou autres téléphones, qui peuvent provoquer une interférence avec le signal sans fil. En outre, si possible, placez l'unité du côté opposé des émetteurs de fréquences radio, tels que les antennes extérieures des stations cellulaires de téléphones mobiles.

La gamme de télécommande et la qualité de la voix de l'unité RCx-1000 dépend de l'environnement où celle-ci est utilisée. Si la commande de réception n'est pas satisfaisante, essayez de déplacer l'unité à un autre endroit, et évitez de placer l'unité près d'une fenêtre.

Gardez l'unité toujours branchée à la prise électrique, sauf pour la nettoyer. Ainsi vos piles de secours en option seront automatiquement rechargées, et gardez l'unité opérationnelle pour les appels entrants. Il est recommandé d'utiliser un protecteur de surtension pour éviter d'endommager l'unité RCX-1000 en cas de surtensions ou d'orage.

## **CONSIGNES DE SÉCURITÉ IMPORTANTES:**

### **Attention:**

Lors de l'utilisation d'un matériel téléphonique ou d'appareils électriques, des précautions de base devraient toujours être suivies pour réduire tout risque d'incendie, de choc électrique et de blessures causées à des personnes, y compris ce qui suit:

1. Afin de réduire le risque de blessure, une surveillance étroite est nécessaire lorsqu'un téléphone est utilisé à proximité des enfants.
2. Ne laissez pas tomber l'unité et ne la soumettez pas à un choc.
3. Ne contactez pas les parties mobiles ou toute surface métallique exposée.

**CONSIGNES DE SÉCURITÉ IMPORTANTES (SUITE):**

4. Débranchez-la de la prise lorsqu'elle n'est pas en utilisation et avant de l'entretenir ou de la nettoyer.
5. Ne l'utilisez pas à l'extérieur. Ne l'utilisez pas à côté de l'eau.
6. Pour la débrancher, mettez toutes les commandes hors tension, ensuite retirez la prise du courant.
7. Ne la débranchez pas en tirant le cordon. Pour débrancher, saisissez la prise et non le cordon.
8. N'utilisez pas d'appareil ayant un cordon ou une prise endommagé, ou si le téléphone est défaillant, est tombé ou est endommagé. Renvoyez le téléphone au service après-vente le plus proche pour examen, réparation ou réglage électrique ou mécanique.
9. Utilisez uniquement le cordon d'alimentation et les piles indiquées dans le manuel. Eloignez les piles du feu, elles peuvent exploser. Vérifiez les règlements locaux pour les instructions d'élimination spéciales possibles. Ne tentez pas d'ouvrir ni d'abîmer la pile. L'électrolyte libéré est hautement corrosif et peut endommager les yeux ou la peau ou peut être toxique si avalé. Faites attention en manipulant les piles de ne pas la court-circuiter avec des matériaux conducteurs tel que les bagues, bracelets ou clés. Court-circuiter une pile peut être dangereux provoquant la surchauffe de la pile ou des brûlures.

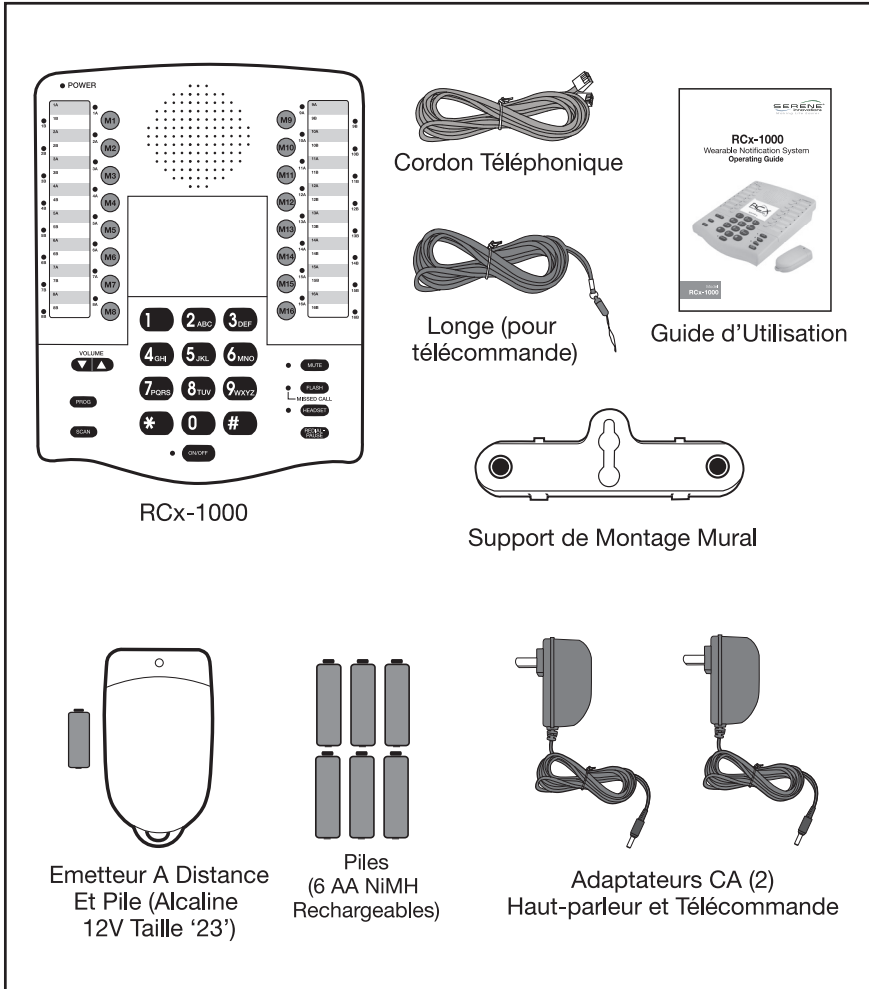
**Avertissement :**

Pour des raisons de sécurité, avant de changer les piles, débranchez toujours le câble du téléphone de la prise murale.

10. Branchez l'adaptateur dans la prise de raccordement la plus proche de l'équipement et qui est facilement accessible.
11. Évitez d'utiliser un produit téléphonique pendant l'orage. Il peut y avoir un risque de choc électrique à cause de la foudre.
12. N'utilisez pas le téléphone pour avertir d'une fuite de gaz à proximité de la fuite.
13. Utilisez uniquement les accessoires recommandés ou vendus par le fabricant.

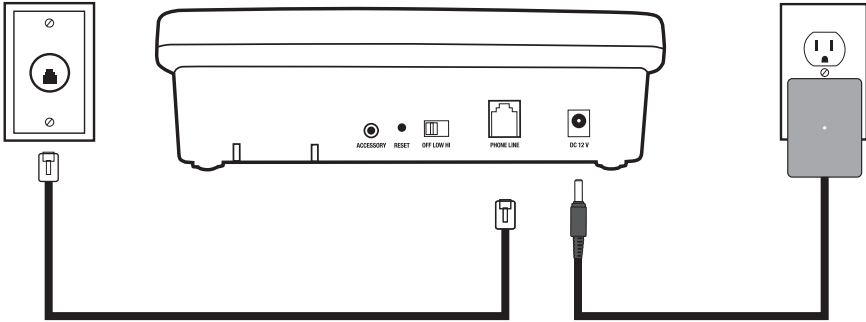
## CONTENU DE L'EMBALLAGE :

L'emballage comporte tous les articles montrés ici. Si un article manque, veuillez contacter notre Service Après-Vente immédiatement.



## RACCORDEMENTS :

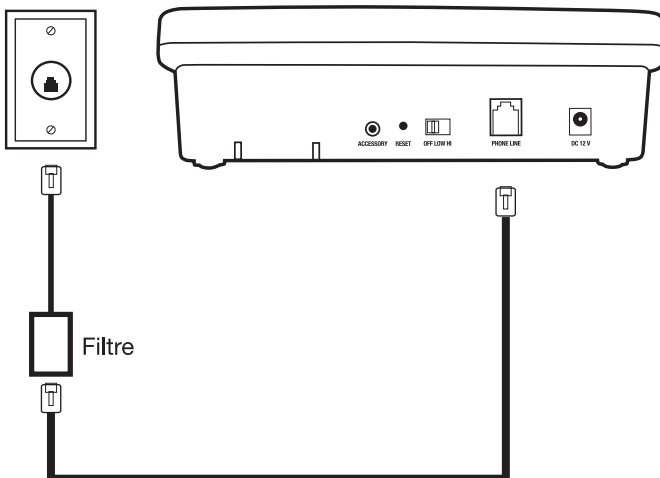
Branchez votre téléphone comme montré. Quand c'est fait, appuyez sur les Touches On/Off pour tester. Si vous entendez la tonalité, votre téléphone est prêt. Sinon, vérifiez tous les raccordements.



## LIGNES TELEPHONIQUES AVEC SERVICE DSL :

Les lignes téléphoniques «groupées» avec le service internet

- Le signal DSL peut interférer avec la fonctionnalité haut-parleur de ce téléphone.
- Nous recommandons d'acheter un filtre DSL et de l'insérer dans la prise murale pour minimiser l'interférence du signal. (les filtres DSL peuvent être acquis auprès des magasins de produits électroniques).



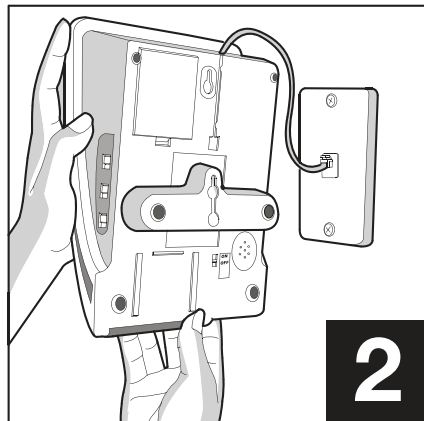
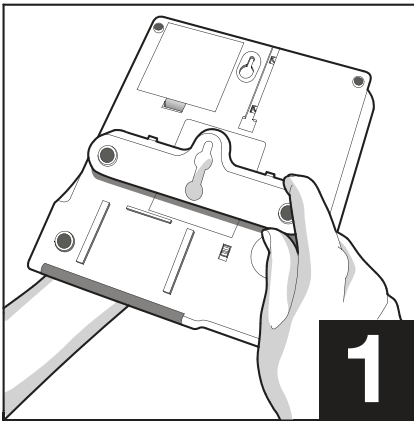
**VOIP :**

(Voix par le Protocole de l'Internet) Service Téléphonique

Tous les téléphones Serene sont compatibles avec les services VoIP typiques lorsqu'utilisés avec un adaptateur de terminal téléphonique analogique fourni par votre fournisseur de service VoIP. Cependant, vous pouvez parfois rencontrer un rare problème de qualité de voix où un appel VoIP peut ne pas être clair autant que vous le souhaitez. Dans ce cas, nous vous recommandons de raccrocher et de rappeler.

**SUPPORT MURAL (facultatif) :**

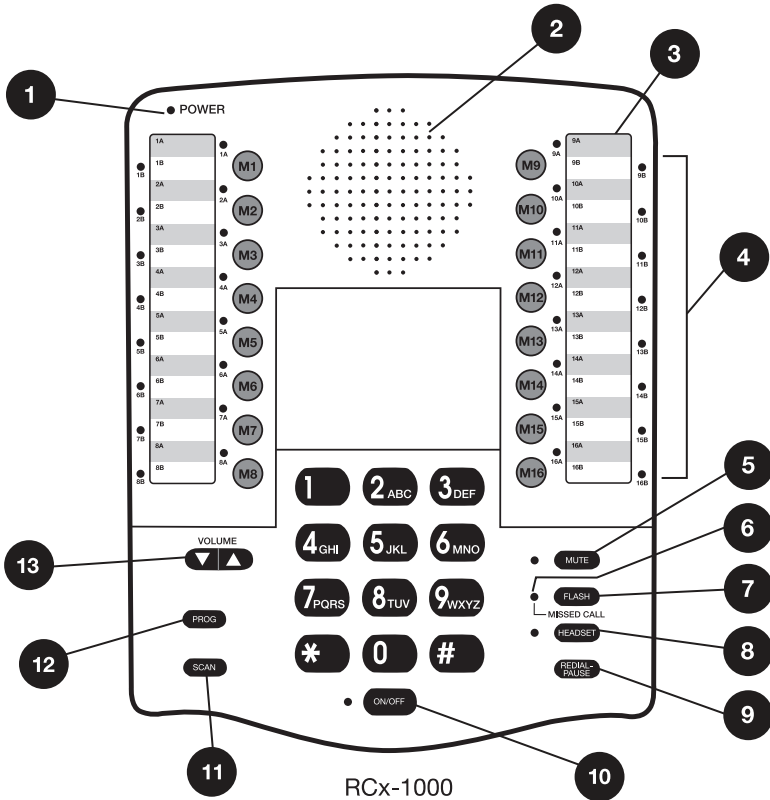
1. Ajustez le support de montage mural dans la base du téléphone.
2. Branchez et utilisez un cordon téléphonique court (prévu à l'utilisateur). Aligner les trous de montage et mettez-les au-dessus des têtes de vis des plaques murales (Assurez-vous que la tête de vis est assez saillante, si non, utilisez un tournevis pour l'ajuster), et faites glisser le téléphone légèrement vers le bas pour le fixer en place.

**PREREGLAGES D'USINE :**

L'unité RCx-1000 fonctionne avec les paramètres de fonctionnement suivants de l'usine :

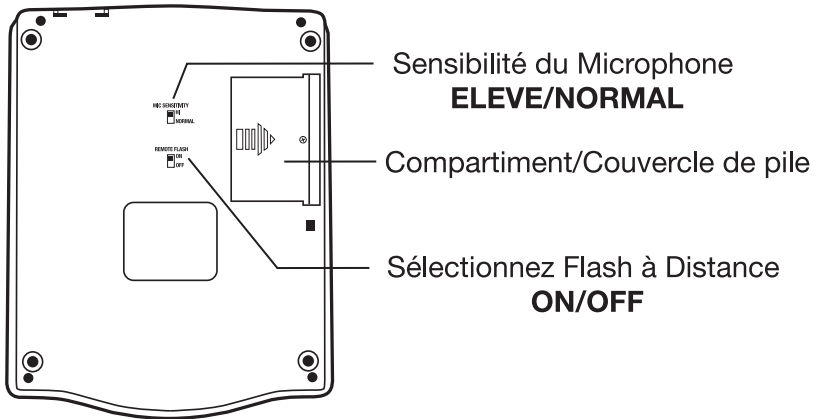
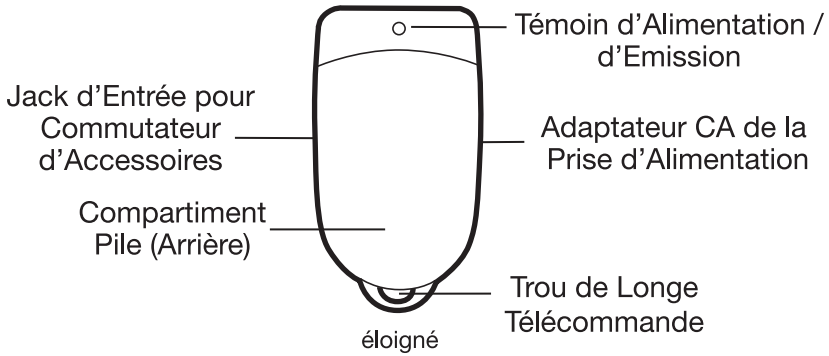
1. Un taux de balayage de 1,5 secondes par emplacement de mémoire.
2. La fonction de réponse à activation vocale – **OFF**
3. L'indicateur d'appel manqué est activé – **OFF**.
4. Le commutateur de volume de sonnerie établi à **HI**.
5. L'opérateur '0' est programmé dans un premier emplacement de mémoire **M1**.
6. Le commutateur de flash à distance est désactivé – **OFF**.

## IDENTIFICATION DES FONCTIONALITES :

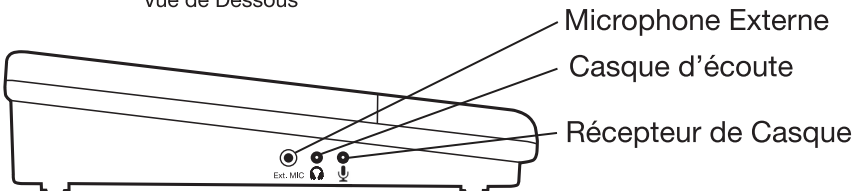


1. Témoin d'Alimentation
2. Haut-parleur
3. Directeur de Mémoire (deux côtés)
4. Indicateurs de Mémoire (deux côtés) Touches Mémoire (M1-M16) (Chaque touche contient A/B pour un total de 32 entrées)
5. Touche/Indicateur Muet
6. Indicateur d'Appel Manqué
7. Touche Flash
8. Touche/Indicateur de Casque
9. Recomposer/Pause
10. Touche/Indicateur On/Off
11. Touche de Balayage
12. Touche de Programme
13. Commande de Volume +/-

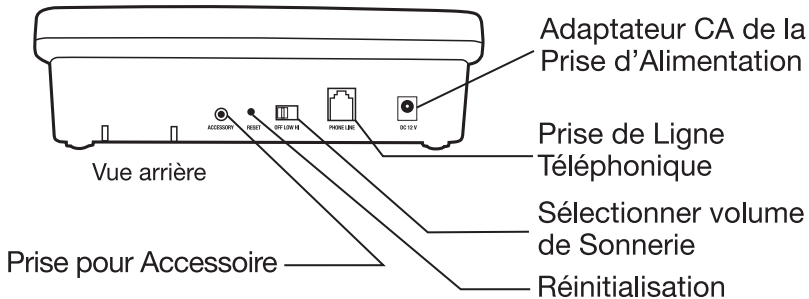
## IDENTIFICATION DES FONCTIONALITES (SUITE):



Vue de Dessous



Vue latérale



Vue arrière

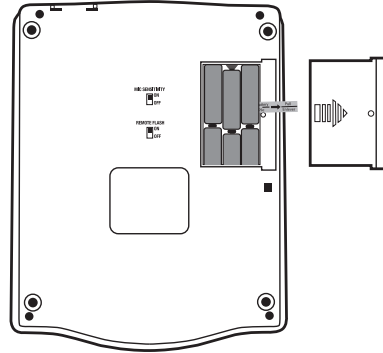
## INSTALLER L'UNITÉ RCX-1000 :

### Unité Principale

Les piles rechargeables Six(6) AA NiMH ont été préinstallées. Retirez la languette de la pile pour engager les piles, ensuite chargez-les pendant 12 heures. Branchez l'unité avec l'Adaptateur CA.

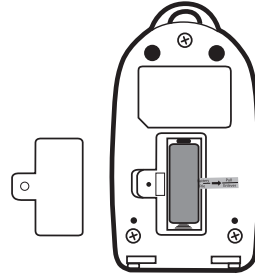
### VEUILLEZ NOTER QUE:

Les piles sont à des fins de sauvegarde en cas de panne d'électricité, si les piles doivent être remplacées, retirez la vis de sécurité et ouvrez le couvercle du compartiment pile comme montré. **N'UTILISEZ PAS DE piles RECHARGEABLES.** Ceux-ci endommageront l'unité et annuleront la garantie.



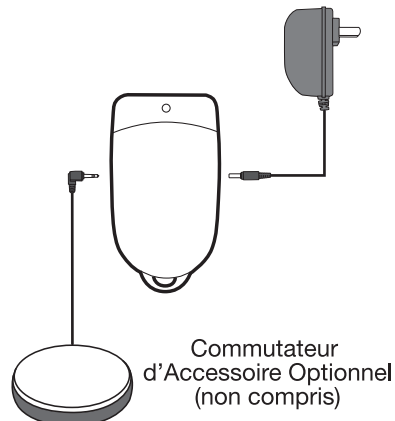
### Unité de Commande à Distance

L'unité de commande à distance peut être alimentée par un adaptateur CA avec une pile de secours. Avec un adaptateur CA, suivant l'usage et l'application normaux, celui-ci peut prolonger la vie de la pile et réduire le besoin de la remplacer. La pile a été préinstallée.



Retirez la languette pour engager la pile. Si la pile doit être changée, retirez la vis de sécurité et ouvrez le couvercle de la pile comme montré.

Un commutateur d'accessoires optionnel peut également être utilisé avec l'unité de commande.





## INSTALLER L'UNITÉ RCX-1000 (SUITE):

### Appairage de la Télécommande au Téléphone

1. Avec l'unité RCx-1000 en veille, appuyez longtemps sur la touche **FLASH** jusqu'à ce que vous entendez un «bip» sonore et que l'indicateur à côté de la touche clignote.
2. Appuyez longuement sur la touche de télécommande jusqu'à ce que vous entendez un «bip» sonore et que l'indicateur à côté de la touche clignote. L'appairage est terminé.

### REMARQUE :

1. La période d'appairage dure 20 secondes uniquement.

### Configurer la synchronisation du scan

Tous les espaces de mémoire contenant des numéros de téléphone seront automatiquement scannés lorsque le RCx-1000 sera activé, soit en appuyant sur le bouton SCAN de l'unité, soit avec la télécommande, soit à partir d'un accessoire attaché à l'unité.

1. Appuyez sur la touche **PROGRAMME**.
2. Sélectionnez le temps de pause de balayage entre les emplacements de mémoire stockés. Appuyez une fois sur la touche du numéro correspondante.
3. Appuyez la touche **BALAYAGE** pour confirmer.

| TOUCHE | Pause entre Mémoire (Secondes) |
|--------|--------------------------------|
| 1      | 5                              |
| 2      | 4.5                            |
| 3      | 4                              |
| 4      | 3.5                            |
| 5      | 3                              |
| 6      | 2.5                            |
| 7      | 2                              |
| 8      | 1.5                            |
| 9      | 1                              |
| 0      | La Fonction Balayage Off       |

## INSTALLER L'UNITÉ RCX-1000 (SUITE):

### Pour Activer/Désactivez la Commande Vocale (Désactivé Par Défaut)

1. Appuyez sur la touche **PROGRAMME**.
2. Appuyez deux fois sur la touche **MUET**. L'indicateur **MUET** clignotera une fois et l'unité générera un long «bip» pour confirmer que la fonction est activée.
3. Pour désactiver la fonction de commande vocale, répétez les étapes ci-dessus. **VEUILLEZ NOTER**: l'indicateur **MUET** ne clignotera pas.

### Pour Activer/Désactiver l'Indication d'Appel manqué (Désactivé Par défaut)

1. Appuyer sur la touche **PROGRAMME**.
2. Appuyez deux fois sur la touche **CASQUE**. L'indicateur **CASQUE** clignotera une fois et l'unité générera un long «bip» pour confirmer que la fonction est Activée.
3. Pour désactiver la fonction, répétez les étapes ci-dessus.  
**VEUILLEZ NOTER** : l'indicateur CASQUE ne clignotera pas.
4. L'indicateur (à côté de la touche **FLASH**) clignotera lorsqu'un appel manqué a été détecté.

### Pour Activer/Désactiver la Fonctionnalité Flash (Désactivée Par Défaut)

1. Glissez le commutateur de sélection de Flash à Distance sur la partie inférieure du téléphone
  - Lorsqu'Activé, appuyez sur la touche de commande à distance pour que le téléphone attende 3 secondes avant de raccrocher.
  - Lorsque désactivé, l'unité raccrochera lorsque la télécommande est enfoncée.

## INSTALLER L'UNITÉ RCX-1000 (SUITE):

### Pour les Réglages de Volume

1. Appuyez sur la touche **VOLUME +** ou **VOLUME –** pour augmenter ou diminuer le volume du haut-parleur du téléphone.
2. Si le casque est utilisé et raccordé au téléphone, appuyez sur la touche **VOLUME +** ou **VOLUME –** pour augmenter ou diminuer le volume du casque.

### FONCTIONNEMENT :

Avant de faire fonctionner l'unité RCx-1000, soyez sûr que l'adaptateur d'alimentation CA du téléphone est branché, que la télécommande est opérationnelle, et que le téléphone est convenablement installé suivant la partie précédente.

Pour une meilleure clarté de communication, parlez au téléphone en l'éloignant d'environ 12 pouces (30 cm) (et ne dépassez pas 15 pieds).

Placez le téléphone dans une zone ouverte, loin de tout matériel qui pourrait obstruer le microphone. Ne placez pas le téléphone à côté d'une source sonore audio élevée tel que le haut-parleur d'une radio ou d'un téléviseur. Réglez les touches de commande du volume et sélectionnez la sonnerie adaptée à vos besoins auditifs.

### Programmer des Numéros dans la Mémoire

L'unité RCx-1000 peut stocker jusqu'à 32 numéros, utilisant 16 touches de mémoire pour une numérotation rapide et par une simple touche. **M1-M16** (chaque touche peut stocker 2 numéros)

1. Appuyez sur la touche **PROGRAMME**.
2. Composez les numéros de téléphone (jusqu'à 32 chiffres).
3. Sélectionnez la touche mémoire pour stocker le numéro. (**M1-M16**)
  - Appuyez une fois sur la 1ère position, le premier indicateur sera allumé.
  - Appuyez deux fois sur la 2ème position, le deuxième indicateur sera allumé.
4. Après 2 secondes, le téléphone émettra un «bip» pour confirmer, et la lumière de l'indicateur de mémoire sélectionnée sera désactivée.
5. Pour stocker un autre numéro dans la mémoire, répétez les étapes ci-dessus.

## FONCTIONNEMENT (SUITE) :

6. Si une erreur a été produite, répétez les étapes ci-dessus pour stocker de nouveau.
7. Pour effacer un numéro de la mémoire de stockage :
  - a. Appuyez sur la touche **PROGRAMME**
  - b. Appuyez sur la touche **FLASH**
  - c. Appuyez une fois sur l'emplacement de mémoire (pour la 1ère position) ou deux fois (pour la 2ème position).

**Remarque :** Durant la numérotation ou la programmation d'emplacements de mémoire, appuyer sur la touche Redial/Pause va insérer une pause de 2 secondes dans la séquence de numérotation. Par exemple, 9P7228850 où «P» représente une pause de 2 secondes. Cette pause est nécessaire pour accéder à une ligne extérieure sur certains téléphones professionnels.

### Appels Reçus

1. Télécommande : Appuyez une fois sur la touche pour répondre. Pour finir l'appel, appuyez de nouveau sur la touche. **OU**
2. Touche **On/Off** : Appuyez sur la touche **On/Off** de l'unité principale. Pour mettre fin à l'appel, appuyez de nouveau sur la touche **On/Off. OU**
3. Activation Vocale : Fonction réponse (la fonction doit être **ON**)
  - Après 3 sonneries de l'appel entrant, dites à haute voix «Hello» ou sifflez haut vers le microphone du téléphone. (Si un casque est utilisé avec le téléphone, dites «Hello» ou émettez un son dans le microphone du casque).
  - Pour mettre fin à l'appel, appuyez sur la touche **On/Off** ou appuyez sur la touche de télécommande ou laissez le téléphone s'éteindre lorsque le signal sonore occupé est détecté.

**Veillez Noter que:** Lorsque l'appelant termine un appel, le bureau de commutation des télécommunications peut ou ne peut pas rétablir la tonalité de numérotation ou d'occupation sur votre ligne. Il est recommandé d'appuyer sur la touche On/Off du téléphone, ou sur la télécommande pour mettre fin à l'appel.

### Passer des Appels – avec une Télécommande (fonction BALAYAGE Activée)

1. L'unité RCx-1000 n'est pas en utilisation.
2. Appuyez une fois sur le bouton-poussoir de télécommande.

## **FONCTIONNEMENT** (SUITE):

3. Le téléphone commencera à balayer et à dérouler les touches mémoire avec les numéros stockés. Les lumières des indicateurs de mémoire clignoteront une à une avec le temps de pause du balayage préétabli.
4. Lorsque l'emplacement de mémoire souhaité est allumé, appuyez une fois sur le bouton-poussoir pour le sélectionner et il arrêtera le balayage. (Remarque : Si après 3 cycles de balayage de mémoire, la télécommande n'effectue pas la sélection, les numéros stockés dans la **M1** (1ère position) seront composés.
5. Le téléphone sera activé, et composera les numéros stockés.
6. Appuyez une fois sur le bouton-poussoir de la télécommande pour mettre fin à l'appel.

### **Passer des Appels – Avec une Télécommande (fonction BALAYAGE Désactivée)**

1. L'unité RCx-1000 n'est pas utilisée.
2. Appuyez une fois sur le bouton-poussoir de la télécommande.
3. Le téléphone sera Activé et composera le numéro stocké dans **M1** (1ère position).

### **Passer des Appels –Utilisation de la touche de BALAYAGE**

Pour utiliser la fonctionnalité de balayage de l'unité, la fonction de **BALAYAGE** doit être activée. Si la fonction de **BALAYAGE** est désactivée, veuillez vous référer à la section précédente concernant le réglage de la durée de balayage.

1. L'unité RCx-1000 n'est pas en utilisation.
2. Appuyez une fois sur la touche **BALAYAGE**.
3. Le téléphone commencera le balayage et le déroulement de tous les autres numéros stockés dans la mémoire. Les lumières de l'indicateur de mémoire seront allumées une à une (avec la durée de pause de balayage préétablie.)
4. Lorsque l'emplacement de mémoire souhaité est allumé, appuyez sur la touche de **BALAYAGE** pour sélectionner, et elle arrêtera alors le balayage. (Remarque : Si après 3 cycles de balayage de mémoire et la touche **BALAYAGE** n'a pas fait de sélection, le numéro stocké dans M1 (1ère position) sera composé.)
5. Le téléphone sera activé, et composera le numéro stocké dans cet emplacement de mémoire.
6. Appuyez de nouveau sur la touche **On/Off** pour mettre fin à l'appel.

## FONCTIONNEMENT (SUITE):

### Passer des Appels – Composer à partir du Clavier

1. Appuyez sur la touche **On/Off**, et attendez la tonalité.
2. Composez le numéro de téléphone en utilisant le clavier.
3. Appuyez de nouveau sur la touche **On/Off** pour mettre fin à l'appel.

### Passez des Appels – Composez à partir des touches Mémoire (M1-M16)

1. Appuyez sur la touche **MEMOIRE**. Appuyez une fois pour la 1ère position de **MEMOIRE (A)**, et deux fois pour la 2ème position de **MEMOIRE (B)**. L'indicateur s'allumera pour montrer quelle position de **MEMOIRE** est sélectionnée.
2. L'unité sera activée après 3 secondes, et composera le numéro stocké dans la mémoire sélectionnée.
3. Appuyez de nouveau sur la touche **On/Off** pour mettre fin à l'appel.

### Passer des Appels – Composer M1 (1ère position)

1. Appuyez une fois sur la touche **ON/Off. OU**
2. Appuyez une fois sur la touche **M1. OU**
3. Si la fonction balayage est **DESACTIVEE**, appuyez une fois sur la touche de télécommande ; **OU**
4. Si la fonction de balayage est **ACTIVEE**, appuyez une fois sur la touche de télécommande, pour que l'unité balaye tous les emplacements de mémoire pour les 3 cycles sans aucune sélection. A la fin de 3 cycles, le téléphone composera automatiquement le numéro stocké dans **M1**.

## RECOMPOSER les Derniers Numéros

### Utilisation de la télécommande :

1. L'unité RCx-1000 n'est pas en utilisation.
2. Appuyez longuement sur la touche de télécommande pendant deux secondes jusqu'à ce que la télécommande émette un «bip».
3. Le téléphone sera activé, et composera le dernier numéro composé.
4. Appuyez de nouveau sur la touche de télécommande pour mettre fin à l'appel.

### Utiliser la touche REDIAL de l'unité :

1. Appuyez sur la touche **ON/OFF**, et attendez la tonalité.
2. Appuyez la touche **REDIAL**. L'unité composera les derniers numéros composés (maximum 32 chiffres)
3. Appuyez de nouveau sur la touche **ON/OFF** pour mettre fin à l'appel.

## FONCTIONNEMENT (SUITE):

### Touche FLASH

La touche **FLASH** est utilisée pour accéder aux services et aux fonctions spéciales du téléphone disponibles à partir de votre compagnie locale de téléphone, tel que l'appel en attente, l'appel 3-way et autres. Veuillez contacter votre compagnie de téléphone pour plus d'informations.

**Remarque** : La fonction flash peut également être accédée par télécommande. Soyez sûre que le commutateur de **SELECTION DE FLASH A DISTANCE** sur la partie inférieure de l'unité principale est commuté à **ON**. Durant les conversations téléphoniques, appuyer rapidement deux fois sur la touche de télécommande successivement, en 3 secondes, générera la fonction flash.

### Touche MUET

Durant une conversation téléphonique, appuyez une fois sur la touche **MUET** du téléphone pour couper le microphone lors des conversations privées. L'indicateur muet s'allumera lorsque la fonction muet est désactivée. Appuyez sur la touche **MUET** de nouveau pour réactiver le microphone. (L'indicateur muet sera désactivé).

### Touche CASQUE(Casque non compris)

Pendant l'appel, appuyez une fois sur la touche **CASQUE** pour transférer la conversation au port casque. Le microphone et le haut-parleur sur le téléphone seront désactivés. La lumière de l'indicateur de casque sera allumée.

Appuyez de nouveau sur la touche **CASQUE** pour retourner à la conversation avec le microphone et le haut-parleur. La lumière de l'indicateur de casque sera désactivée.

### Microphone Externe

L'unité RCx-1000 fournit un jack d'entrée pour un microphone externe. Cette fonction fournit une option pour les utilisateurs qui ont des petites voix pour utiliser un microphone hautement sensible et/ou étendent la réception de microphone. Le microphone interne sera désactivé lorsque le microphone externe est utilisé.

## **FONCTIONNEMENT** (SUITE):

### **Commutateur A Air et Autres Accessoires de Commutation**

L'unité RCx-1000 fournit un jack d'entrée pour les accessoires, tel qu'un commutateur à air ou coussinet. C'est un commutateur de simple contact étroit. La fonction sera la même que le bouton-poussoir de télécommande. Se référer aux détails de fonctionnement en utilisant l'unité de télécommande.

### **DEPANNAGE :**

#### **Pas de tonalité**

- Vérifiez tous les raccordements de la ligne téléphonique.

#### **Pas d'alimentation**

- Vérifiez les raccordements d'alimentation

#### **Ne pas pouvoir composer**

- Vérifiez tous les raccordements de la ligne téléphonique et les raccordements d'alimentation

#### **Ne pas pouvoir composer les numéros de la mémoire**

- Aucun numéro dans la mémoire

#### **Télécommande Non Fonctionnelle**

- Vérifiez ou remplacez la pile de la télécommande
- Appairer la télécommande à l'unité
- Soyez sûr que le téléphone n'est pas placé sur ou à côté de surfaces métalliques ou d'un équipement électrique

#### **Ne pas pouvoir appairer la télécommande**

- Remplacer la pile de la télécommande

#### **Pas de sonnerie pour les appels entrants**

- Vérifiez que le commutateur de sonnerie n'est pas établi à «OFF»

#### **Pas de balayage pour la mémoire**

- Activez la fonction BALAYAGE de l'unité

#### **Balayage de mémoire trop rapide ou trop lent**

- Reprogrammer le taux de balayage sur l'unité

#### **Coupures dans les conversations**

- Essayez ne pas parler en même temps que l'appelant.



## NETTOYAGE :

1. Débranchez le téléphone de la prise électrique avant le nettoyage. Utilisez uniquement un chiffon sec et doux (ou un chiffon humide avec un détergeant doux) pour nettoyer cette unité. N'utilisez pas de solvants, de produits chimiques, ou de solutions nettoyantes contenant de l'alcool, de l'ammoniaque, ou des abrasifs sur cette unité.

## ACCESSOIRES FACULTATIFS :

L'unité RCx-100 et sa télécommande peuvent être personnalisées avec des accessoires (qui utilisent une prise de 3,5 mm pour le raccordement afin de répondre aux préférences et exigences personnelles. Les commutateurs d'accessoires nécessitent un contact de commutateur qui doit être de type 'normalement ouvert' et doit se fermer momentanément lorsqu'activé. Nous vous invitons à nous contacter (ou à contacter votre fournisseur préféré) pour plus d'informations ou d'assistance concernant ces accessoires.

**Microphone Externe** : Ce microphone hautement sensible peut être accroché à votre col. Idéal pour les personnes à petites voix.

**Casque w/Microphone** : léger et confortable à porter. Permet les conversations personnelles et privées. Idéal pour les appels d'affaires.

**Commutateur à Air** : Commande les fonctions de l'unité RCx-1000 en soufflant doucement dans le capteur. Raccordez-le à la partie arrière de l'unité RCx-1000 ou à la télécommande.

**Coussinet** : Commande les fonctions de l'unité RCx-1000 en pressant doucement sur le commutateur avec votre bras, pied, tête, épaule ou autre partie du corps.

**Commutateur de Tread** : utilisez ce commutateur de type pédale pour activer l'unité RCx-1000.

**Commutateur à lame** : Activez l'unité RCx-1000 en déplaçant le levier de ce commutateur d'accessoire.

**Commutateur à sucette** : Commande l'unité RCx-1000 en appliquant une légère pression à cette plaque tactile du commutateur

## ACCESSOIRES FACULTATIFS (SUITE):

**Commutateur Pneumatique/ Sip n Puff :** Commutateur pneumatique raccordé au Sip n Puff. Soufflez ou inspirez une fois dans l'embouchure du Sip n Puff pour activer l'unité RCx-1000.

### SPECIFICATIONS :

**Exigences de puissance pour le Téléphone** (facultatif pour la télécommande)

|                                    |  |
|------------------------------------|--|
| Adaptateur CA : Entrée.....        | 100-240VAC, 50/60 Hz,<br>homologué UL                  |
| Sortie.....                        | 12VDC 500 mA   |
| Piles de secours:                  |  |
| Unité Principale.....              | Piles rechargeables<br>6-AA taille NiMH<br>(comprises) |
| Durée .....                        | Environ 6 heures                                       |
| Télécommande.....                  | Pile Alcaline 12V taille<br>'23A' (comprise)           |
| Durée .....                        | Environ 6 à 12 mois                                    |
| Fréquence de la télécommande ..... | 433,92 MHz, ASK  |
| Gamme de la Télécommande.....      | Environ 80 pieds                                       |
| Temps de Flash .....               | 600 msec.  |
| Dimensions .....                   | 220 x 280 x 68 mm                                      |
| Poids.....                         | Environ 0,9 Kg   |
| Température.....                   | Fonctionnement :<br>0 à 30 C                           |
| Stockage.....                      | -10 à 40C  |

Les spécifications sont sujettes à modifications.

### INFORMATIONS SUR LES CONDITIONS DE GARANTIE:

Le **RCx-1000 Remote Control Speakerphone** comprend un garantie d'un an. Pendant la période couverte par la garantie, à partir de la date d'achat, nous garantissons que le **RCx-1000 Remote Control Speakerphone** sera except de défauts matériaux ou de fabrication dans des conditions d'utilisation domestique. Advenant le cas où **RCx-1000 Remote Control Speakerphone** cesserait de fonctionner correctement moins d'un an après la date d'achat, à cause de défauts matériels ou de fabrication, renvoyez l'appareil (fret prépayé) avec la preuve d'achat (reçu de vente ou bordereau d'expédition,

**INFORMATIONS SUR LES CONDITIONS DE GARANTIE (SUITE):**

sans exception) à Serene Innovations. Serene Innovations s'occupera de remplacer ou de réparer l'appareil (par un appareil réusiné ou dans la même condition), puis vous le renverront sans frais (service d'expédition terrestre UPS/USPS), si vous retournez l'appareil trente jours ou moins après la date d'achat. Si l'appareil est retourné plus de trente jours après la date d'achat, mais à l'intérieur de la période de garantie, vous devrez payer des frais de manutention de 9,95\$ par renvoi.

Cette garantie ne s'applique pas aux produits qui ont été accidentellement endommagés à cause d'un mauvais usage, d'un usage abusif ou négligent, ou parce qu'ils ont été alimentés avec un voltage électrique ou une fréquence autres que ce qui est indiqué sur le produit et dans le manuel d'instructions. Les défauts et les erreurs causés par des modifications, des réparations ou le traficage non autorisé ne sont pas couverts par cette garantie. Cette garantie vous confère des droits spécifiques. Certains droits peuvent s'ajouter selon les États. En cas de défaut couvert par cette garantie, vous devez immédiatement communiquer avec un représentant au service à la clientèle par téléphone ou en vous rendant au HYPERLINK "<http://www.sereneinnovations.com/>" [www.sereneinnovations.com](http://www.sereneinnovations.com) pour obtenir un code Return Merchandise Authorization (RMA) et pour obtenir des instructions d'expédition avant de nous renvoyer le produit. Tout colis sans RMA sera refusé et vous sera renvoyé à vos frais. Tout renvoi autorisé de produit doit être accompagné de la preuve d'achat et d'une brève description du problème.

Pour le service et les réparations d'après garantie, communiquez avec le service à la clientèle pour des instructions.

**INFORMATIONS FCC À L'INTENTION DES CONSOMMATEURS AMÉRICAINS UNIQUEMENT:**

Cet équipement est conforme à la Section 68 de la réglementation FCC et aux directives adoptées par l'ACAC. Au dos de cet équipement se trouve une étiquette indiquant, entre autres informations, un identifiant produit de [US: XXXXXXXXXX]. S'il vous est demandé, ce numéro doit être fourni à la société de téléphone. Si cet équipement, Modèle CA-xx, provoque des dommages au réseau téléphonique, la société de téléphone vous avertira à l'avance qu'une interruption temporaire du service pourrait être nécessaire. Dans l'impossibilité d'une notification préalable, la société de téléphone avertira le client dès que possible. Par ailleurs, vous serez informé de votre droit à porter plainte auprès de la FCC si vous le jugez nécessaire.

## INFORMATIONS FCC À L'INTENTION DES CONSOMMATEURS AMÉRICAINS UNIQUEMENT (SUITE):

La compagnie de téléphone est susceptible d'apporter des modifications à l'équipement, aux opérations et aux procédures de cette installation qui pourraient affecter le fonctionnement de l'équipement. Si tel est le cas, la société de téléphone vous en avertira par avance afin que vous puissiez effectuer les modifications nécessaires pour maintenir un service ininterrompu. Si vous rencontrez des difficultés avec cet équipement, déconnectez-le du réseau jusqu'à ce que le problème ait été corrigé, ou jusqu'à être certain que l'équipement ne dysfonctionne pas. Veuillez suivre les instructions de réparation (par ex. dans la section remplacement de piles) ; par ailleurs, ne changez ni ne réparez aucune pièce de l'appareil en dehors de ce qui est indiqué. La connexion à des services de ligne partagée est soumise aux taxes d'État. Contactez la State Public Utility Commission, la Public Service Commission ou la Corporation Commission pour tout renseignement. Si la société de téléphone demande des informations sur l'équipement connecté à leurs lignes, indiquez-lui :

- A. Le numéro de téléphone auquel est connectée l'unité
- B. L'indice d'équivalence de sonnerie [REN]
- C. Le connecteur USOC requis [RJ11C], et
- D. Le numéro d'enregistrement FCC [US: XXXXXXXXXX]

Les points (B) et (D) sont indiqués sur l'étiquette. L'indice d'équivalence sonnerie (REN) est utilisé pour déterminer combien d'appareils peuvent être reliés à votre ligne téléphonique. Dans la plupart des régions, la somme des REN de tous les appareils ne devrait pas dépasser cinq (5,0). Si trop d'appareils sont connectés, ils pourraient ne pas sonner correctement.

### Cet équipement est conforme à la Section 68 de la réglementation FCC

Sur l'équipement figure une étiquette indiquant, entre autres informations, le numéro d'enregistrement FCC et l'indice d'équivalence de sonnerie (REN). Si elles vous sont demandées, ces informations devront être fournies à la société de téléphone.

Cet équipement utilise le connecteur USOC (Universal Service Order Code) suivant: RJ-11. La connexion au réseau téléphonique devrait être réalisée à l'aide d'un câble téléphonique modulaire standard de type RJ-11.

Le REN est utile pour déterminer le nombre d'appareils que vous pouvez relier à votre ligne téléphonique afin qu'ils sonnent toujours tous lorsque votre numéro est appelé. Dans la plupart des régions, mais pas toutes, la somme des REN de tous les appareils reliés à une même ligne ne devrait pas dépasser cinq (5,0). Pour être sûr du nombre d'appareils que vous pouvez connecter à votre ligne, tel que déterminé par le REN, contactez votre société de téléphone locale afin de connaître le REN maximum pour votre zone d'appel.

## **INFORMATIONS FCC À L'INTENTION DES CONSOMMATEURS AMÉRICAINS UNIQUEMENT** (SUITE):

Si votre équipement téléphonique entraîne des dommages au réseau, la société de téléphone est susceptible d'interrompre temporairement le service. Si possible, elle vous en avertira par avance. Mais dans l'impossibilité d'une notification préalable, vous serez averti dès que possible. Vous serez informé de votre droit à porter plainte auprès de la FCC.

Votre société de téléphone est susceptible d'apporter des modifications à ses installations, à son équipement, à ses opérations et à ses procédures, qui pourraient affecter le fonctionnement de votre équipement. Si tel est le cas, vous en serez averti par avance afin de vous donner la possibilité de maintenir un service téléphonique ininterrompu.

Dans l'éventualité où cet équipement ne fonctionnerait pas correctement, déconnectez l'unité de la ligne téléphonique. Essayez d'utiliser un autre téléphone approuvé par la FCC avec le même câble. Si le problème persiste, contactez le service de maintenance de la société de téléphone.

Si le problème persiste et semble lié à cette unité, déconnectez-la de la ligne téléphonique et cessez de l'utiliser jusqu'à ce qu'elle soit réparée. Pour les informations relatives à la réparation ou à la garantie, merci de contacter Serene Innovations, Inc. au 562-407 5400. Veuillez noter que la société de téléphone pourrait vous demander de déconnecter cet équipement du réseau jusqu'à ce que le problème soit réglé ou jusqu'à ce que vous soyez certain que l'équipement ne dysfonctionne pas.

Cet équipement ne contient aucune pièce réparable par l'utilisateur.

Cet équipement ne devrait pas être utilisé sur les services à pièces fournis par la société de téléphone. La connexion à des lignes partagées est soumise aux taxes d'État. Contactez la Public Utility Commission ou la Public Service Commission de l'État pour tout renseignement.

Si votre foyer est équipé d'une alarme avec des câbles spéciaux connectés à la ligne téléphonique, assurez-vous que l'installation du présent équipement ne désactive pas l'alarme. Si vous avez des questions sur ce qui pourrait désactiver l'alarme, consultez la société de téléphone ou un installateur qualifié.

### **Informations relative à la section 15 de la réglementation FCC**

Cet appareil est conforme à la section 15 de la réglementation FCC. Le fonctionnement est sujet aux deux conditions suivantes : (1) cet appareil ne doit pas provoquer d'interférences nuisibles, et (2) cet appareil doit accepter toute interférence reçue, y compris celles pouvant entraîner un fonctionnement indésirable. Des tests sur cet équipement ont montré qu'il respecte les limites d'un appareil numérique de classe B, conformément à la Section 15 de la réglementation FCC. Ces limites visent à assurer une protection raisonnable contre les interférences nuisibles dans les installations résidentielles.

## INFORMATIONS FCC À L'INTENTION DES CONSOMMATEURS AMÉRICAINS UNIQUEMENT (SUITE):

Cet équipement génère, utilise et peut émettre des ondes radio et, s'il n'est pas installé et utilisé conformément aux instructions, peut entraîner des interférences nuisibles avec les communications radio. Toutefois, il n'existe aucune garantie que des interférences nuisibles ne seront pas produites par une installation particulière. Si cet équipement provoque des interférences gênantes sur la réception radio ou télé, ce qui peut être déterminé en éteignant et en rallumant l'équipement, vous pouvez essayer l'une des méthodes suivantes pour résoudre le problème :

1. Si cela est possible de manière sécurisée, réorientez l'antenne de la télévision ou de la radio.
2. Dans la mesure du possible, repositionnez la télévision, la radio ou autre récepteur, en tenant compte du téléphone sans fil.
3. Branchez l'adaptateur secteur du téléphone sans fil dans une autre prise électrique.
4. Demandez de l'aide au distributeur ou à un technicien radio/TV expérimenté. Modification : toute modification n'étant pas approuvée expressément par le fabricant de l'appareil pourrait rendre nul la légitimité de l'utilisateur à faire fonctionner l'appareil.

**REMARQUE:** Le label Industry Canada identifie un équipement certifié Cette certification signifie que l'équipement répond aux exigences de fonctionnement, de protection et de sécurité des réseaux de télécommunication, telles que recommandées dans le(s) document(s) d'Exigences techniques d'équipement final appropriés. Le département ne garantit pas que l'équipement fonctionnera à la satisfaction de l'utilisateur.

Avant d'installer cet équipement, l'utilisateur devrait s'assurer qu'il est autorisé à le connecter aux installations de la société locale de télécommunication. L'équipement doit également être installé au moyen d'une méthode de connexion acceptable. Le client devrait être conscient que le respect des conditions susmentionnées pourrait ne pas empêcher la dégradation du service dans certaines situations. Les réparations effectuées sur un équipement certifié devraient être coordonnées par un représentant désigné par le fournisseur. Toute réparation ou modification réalisée par l'utilisateur sur cet équipement, ou mauvaise utilisation, pourrait autoriser la société de télécommunication à demander la déconnexion de l'équipement. L'utilisateur devrait s'assurer, pour sa propre protection, que les connexions électriques à la terre du service d'électricité, des lignes téléphoniques et du réseau interne de canalisations métalliques, s'il y en a, sont reliées ensemble. Cette précaution pourrait être particulièrement importante en zone rurale.

Avertissement: L'utilisateur ne devrait pas tenter d'effectuer ces connexions lui-même, mais contacter l'autorité de contrôle électrique appropriée, ou un électricien, selon le cas. Le REN de ce téléphone amplifié est indiqué sur l'étiquette IC réglementaire située au dos du produit.

**INFORMATIONS FCC À L'INTENTION DES CONSOMMATEURS AMÉRICAINS UNIQUEMENT** (SUITE):

REMARQUE: L'indice d'équivalence de sonnerie (REN) attribué à chaque appareil final fournit une indication du nombre maximum de terminaux qu'il est permis de connecter à l'interface téléphonique. La terminaison d'une interface peut être composée de n'importe quel nombre d'appareils, à la seule condition que la somme des indices d'équivalence de sonnerie de tous les appareils ne dépasse pas 5.

Cet appareil numérique de Classe B est conforme à la norme canadienne ICES-003.



**Serene Innovations, Inc.**

14731 Carmenita Road, Norwalk, CA. 90650

Toll Free: 866-376 9271, Fax: 562-483-2087

Website: [www.sereneinnovations.com](http://www.sereneinnovations.com)

Email: [Customercare@Sereneinnovations.com](mailto:Customercare@Sereneinnovations.com)