

CL7310

Digital TV Listener



English

Introduction

The Geemarc Digital TV Listener is an amplification system specifically designed for people with hearing difficulties.

It can be used with all kinds of Audio, Television systems, suitable for individuals or groups without any interference.

Audio output from a TV or audio device is encoded and transmitted by the Base, the wireless Headset receives the signal and decodes it to original audio sound.

One Base can be paired with up to 4 Headsets.



Safety & Care advice

To make the best use of this product and to use it safely, please read these instructions thoroughly before use and keep safe for future reference.

Warning: This product can be very loud. Take care to prevent others from using this product, if they do not have the same level of hearing loss. Excessive sound pressure from earphones and headphones can cause hearing loss.

Caution: Electric shock. DO NOT insert unattached plug heads in to mains power sockets. Plug heads **MUST** be fitted to the power adaptor.

Electrical connection: The unit is designed to operate from a 100-240VAC - 50/60Hz supply. (Classified as 'hazardous voltage' according to EN 60650 standard).

The unit does not incorporate an integral power on/off switch. To disconnect the power, either switch off supply at the mains power socket or unplug the AC adaptor. When installing the unit, ensure that the mains power socket is readily accessible.

Caution: Risk of explosion if battery is replaced by an incorrect type. Dispose of used batteries according to the instructions.

Keep the unit away from heat sources.

DO NOT expose the unit to direct sunlight.

Clean the Headset and ear pads regularly.

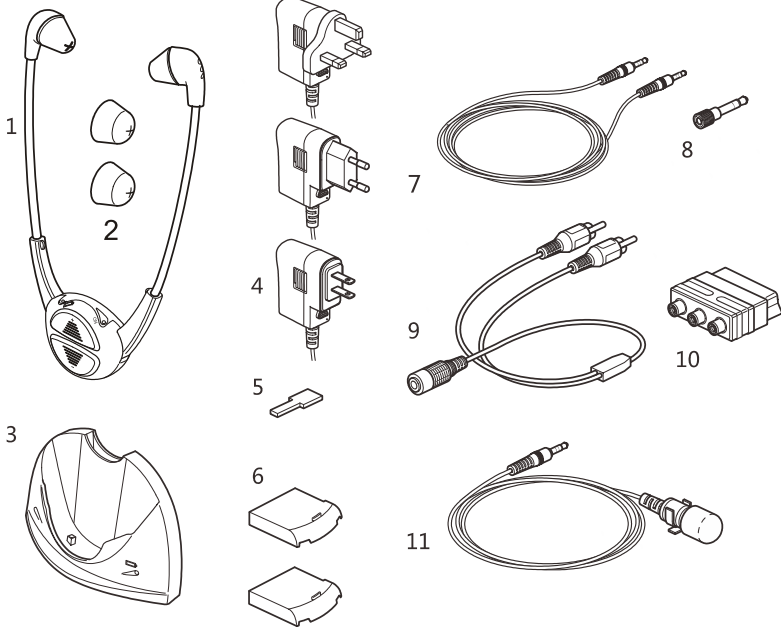
DO NOT modify the unit in any way.

The batteries shall not be exposed to excessive heat such as sunshine, fire or the like.

The MAINS plug or an appliance coupler is used as the disconnect device, the disconnect device shall remain readily operable

Please note: The unit may be subject to interference from appliances that generate strong electrical or magnetic fields e.g. microwaves, mobile phones, lighting transformers etc.

Pack Contents



- | | |
|------------------------------------|---|
| 1. Headset | 2. Alternative ear pads |
| 3. Base | 4. Power adaptor with cable (UK, EU & US) |
| 5. Slider tool | 6. Batteries |
| 7. 3.5mm to 3.5mm cable (1.5m) | 8. 3.5mm to 6.3mm adaptor |
| 9. 3.5mm to 2 pin RCA cable (25cm) | 10. 2-pin RCA scart adaptor |
| 11. Microphone | |

Table of Contents

Pack contents	2	Pairing extra headsets	11 -12
First use / Charging batteries	3 - 5	Cleaning & Maintenance	12
Connecting to TV, HiFi and other audio equipment	6 - 8	Spare/replacement parts	13
Using Headset	8-10	Customer support	13
Headset adjustments	8-10	General information	13-14
Battery status & recharging	10-11		

First use / Charging batteries

Important: The Geemarc Digital TV Listener is supplied with two batteries. Before use, batteries MUST be fully charged, full charge will take about 2-3 hours when the battery is empty.

Caution: If battery is already fully charged, the red LED will stay off.

Once fully charged the TV Listener has an approximate operating time of up to 3 hours (per battery, with Headset on medium volume).

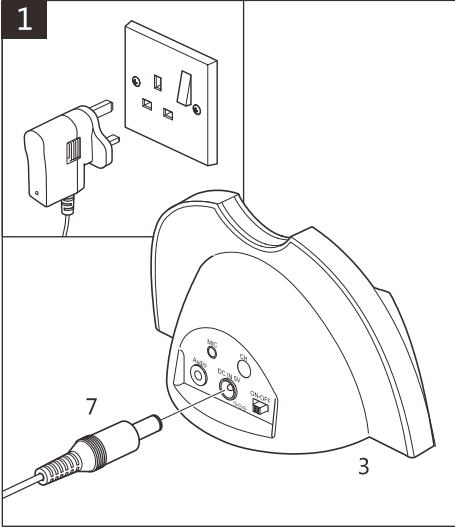
Batteries cannot be overcharged, but to save power the Base should be disconnected from the power supply when not in use.



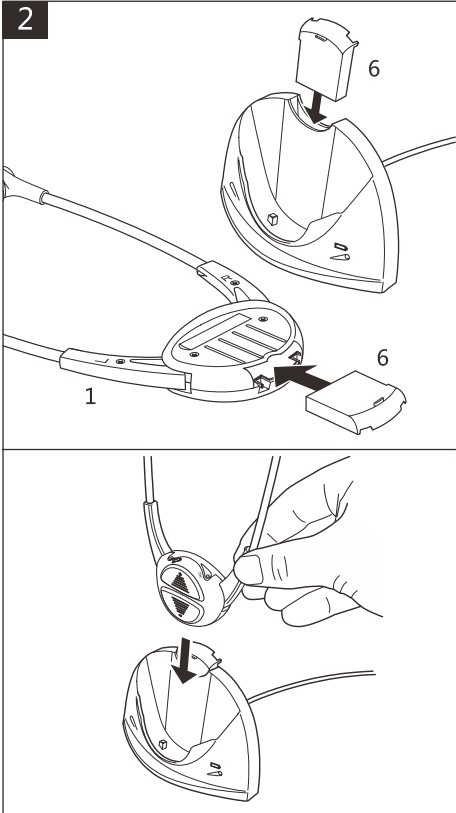
Battery Warnings:



- **DO NOT** attempt to dismantle.
- **DO NOT** dispose of in fire.
- **DO NOT** swallow.
- Keep away from children.
- Batteries are to be inserted with the correct polarity.
- **DO NOT** short-circuit the supply terminals.
- Exhausted batteries are to be removed from the product.
- Only use Geemarc supplied 'Li-Po' batteries.
- **Caution:** Risk of explosion if battery is replaced incorrectly or fitted with the wrong type of battery. Dispose of used batteries according to the instructions.

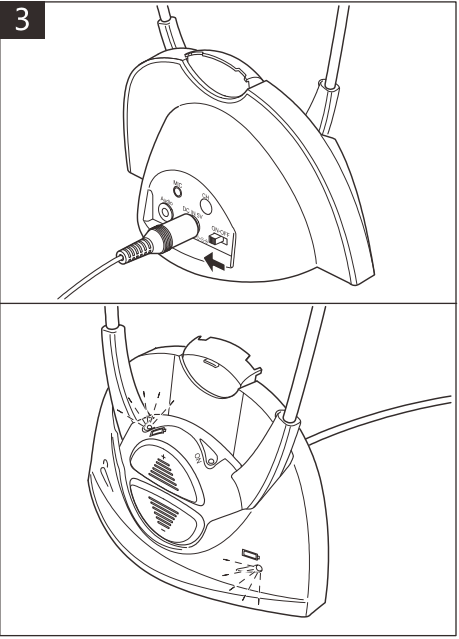


Insert power adaptor into mains power socket. Insert power jack (7) into 'DC IN 5V' socket on the back of the Base.



Insert batteries (6) into Headset and Base.
Place Headset in Base.

Caution: Please be sure to insert the battery correctly (see above).



Turn power on at mains and Base.

Red lights will show on Base and Headset to indicate batteries are charging.

After 2-3 hours, when fully charged the red lights will be off.

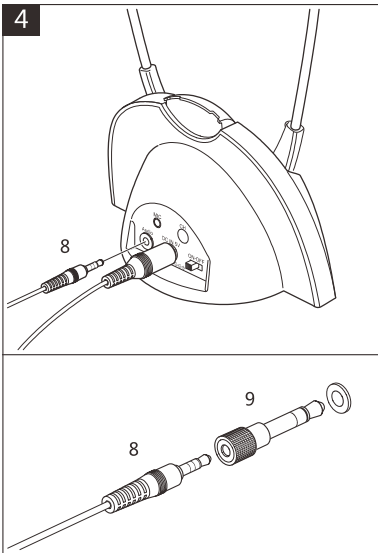
Connecting to TV, HiFi and other audio equipment

There are a number of alternative methods of connecting to the unit depending on the make of TV, HiFi equipment.

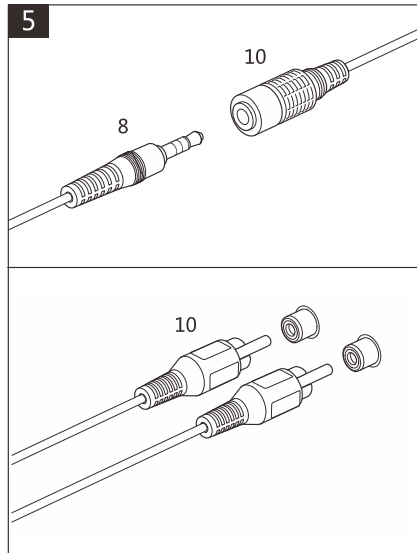
Important: The Base **MUST** connect to '**OUTPUT**' sockets on the TV, HiFi equipment (never use the **INPUT** access sockets).

Important: If you are using cable TV, satellite, Internet or other services in conjunction with your TV or sound device please ensure that you connect the CL7310 to an audio output access on your TV and **NOT** on your set top box. If you are unsure or cannot identify the right connection or the input/output definition please refer to the user manual of your TV. A connection of the CL7310 to your set top box instead of your TV output could result some channels being seen without sound.

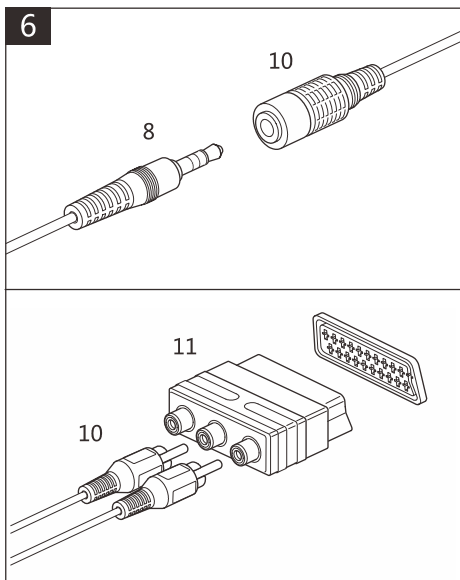
Please note: In the event of having difficulty with the connections, please call the Customer Helpline: 01707 384438



Using 3.5mm to 3.5mm cable: Insert one 3.5mm jack (8) into 'Audio' socket on Base, insert other 3.5mm jack into the 'headphone' socket on the TV, HiFi equipment. If required use 3.5mm to 6.3mm jack adaptor (9).

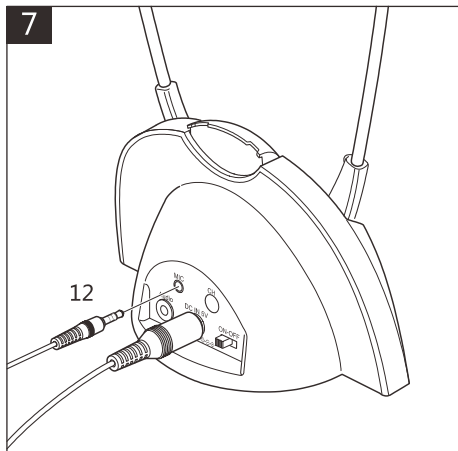


Using 3.5mm to RCA cable: Insert 3.5mm jack (8) into 3.5mm RCA cable (10). Connect to the RCA jacks (10) to the corresponding red and white '**OUTPUT**' sockets on the TV, HiFi equipment.



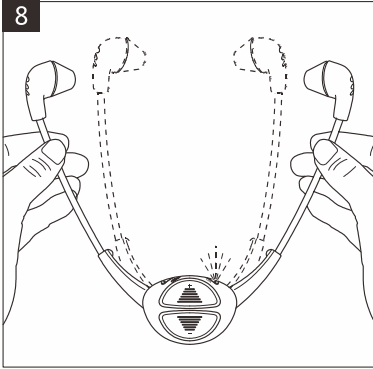
Using scart adaptor: Insert 3.5mm jack (8) into 3.5mm to RCA cable (10). Insert scart adaptor (11) into a compatible scart socket on the TV, HiFi equipment. Connect to corresponding red and white RCA jacks (10) to scart adaptor (do not use the yellow socket).

Note: Some televisions and audio devices have an audio output SCART level greater than the 300mV standard. This can cause some distortion or a very high acoustic level, even with the Volume set to Low. If this happens, please contact the Geemarc Customer Services department. They will be able to provide you with a solution to attenuate the sensitivity of your CL7310.



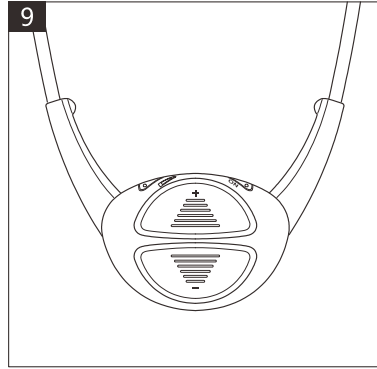
Microphone connection: Only use the supplied Geemarc microphone. Plug microphone jack (12) into 'MIC' socket on Base and place microphone near source you wish to listen to.

Note: Volume levels will be lower and background noise may be picked up when using the microphone.



Using Headset: Once charged and connected to your TV, HiFi equipment, open the arms and Headset will operate. A green light on the Headset will show it is in use.

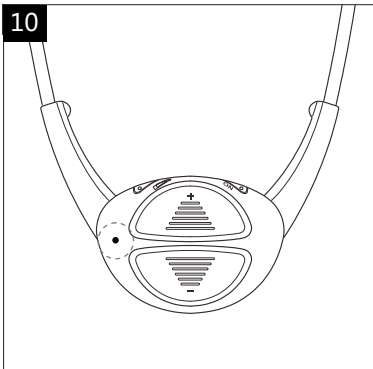
Headset will switch off when arms are fully released.



Volume adjustment:

Press '+' button to increase volume and '-' button to decrease volume.

Headset beeps when volume reaches maximum or minimum.



Headset Mic function:

when headset power on, press and hold Volume '+' for 3 seconds to enter headset MIC IN mode, sound source switches from base LINE IN to headset MIC IN for environment sound amplification.

Press and hold volume button for 3 sec to come back in Base line mode.

Close and open the arms one time reset the MIC IN to base LINE IN too.

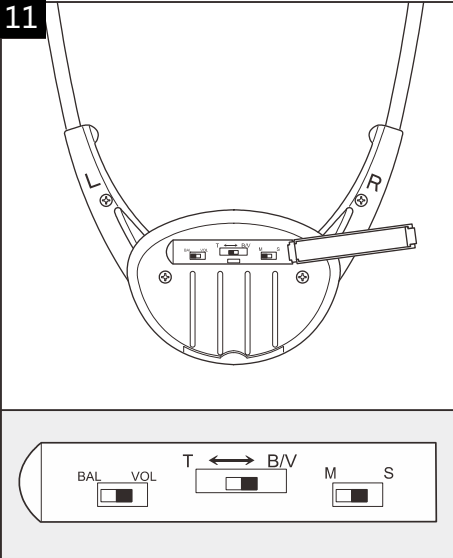
Headset adjustments

Volume, Balance, Tone and Mono/Stereo settings are preset to their middle settings, these will be suitable for the majority of users.

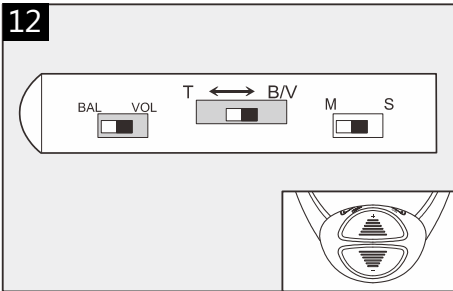
Ensure that you try the Headset before adjusting the preset settings.

If adjustments are required use the 'slider tool' to adjust the settings.

Important: Once all the adjustments are complete, ensure that the Headset slider is set to the Volume adjustment as described in step 11.

11

Use the slider tool (5) to adjust the Volume, Balance, Tone or switch Mono to Stereo. Open the back panel on the Headset. 3 'slider switches' will be present.

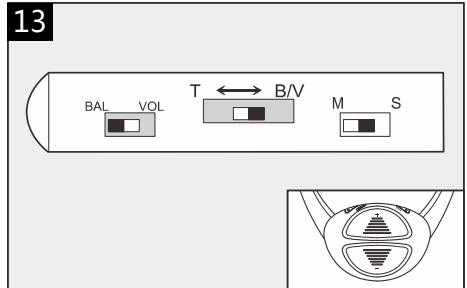
12

Volume adjustment:

Set '**BAL VOL**' slider to '**VOL**'.
Set '**T <-> B/V**' slider to '**B/V**'

Press '+' button to increase volume and '-' button to decrease volume.

Headset beeps when volume reaches maximum or minimum.

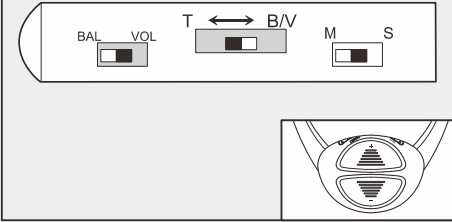
13

Balance adjustment:

Set '**BAL VOL**' slider to '**BAL**'.
Set '**T <-> B/V**' slider to '**B/V**'

Press '-' button to decrease sound on RIGHT side. Press '+' button to decrease sound on LEFT side.

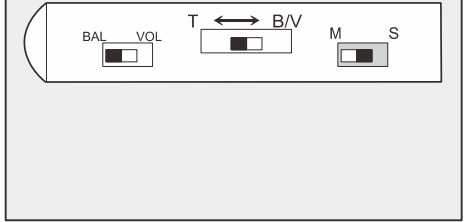
Headset beeps when balance reaches maximum, middle or minimum.

14**Tone adjustment:**

Set '**BAL VOL**' slider to '**VOL**'
 Set '**T <-> B/V**' slider to '**T**'

Press '+' button to increase treble and decrease bass. Press '-' button to increase base and decrease treble.

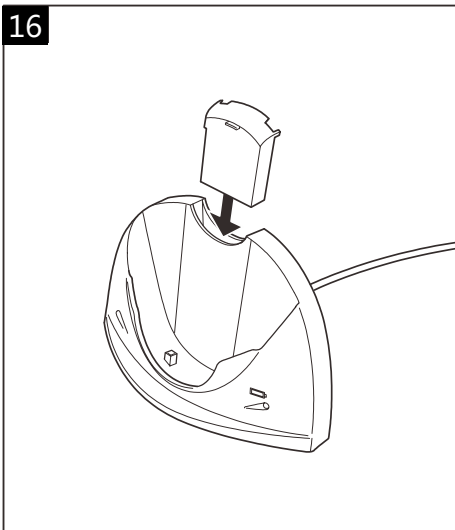
Headset beeps when tone adjustment reaches maximum, middle or minimum.

15**Mono / Stereo adjustment:**

Set '**MS**' slider to '**S**', Headset will be in 'Stereo'.

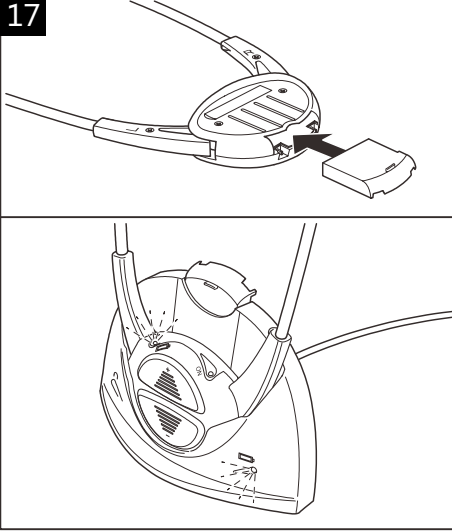
Set '**MS**' slider to '**M**', Headset will be in 'Mono'.

Battery status & recharging: When battery power is low, Headset green light will flash and a low 'beep' will be heard through Headset.

16

Charging battery in Base: Insert battery into Base charging compartment and switch on power. During charging the red light will stay lit until fully charged.

17



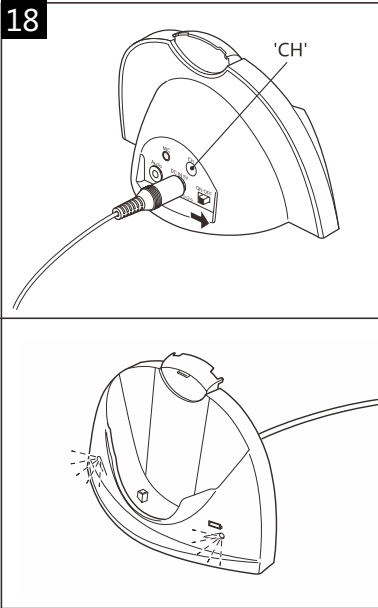
Charging battery in Headset:
Insert battery into headset, place Headset in Base. During charging the red light on Headset will stay lit until fully charged.

Pairing extra Headsets

Important: Pairing must be completed while Base lights are flashing. If lights stop flashing before pairing is complete you must repeat the process.

To pair Base and Headset ensure batteries are fully charged and the Base is connected to mains power. Proceed as follows:

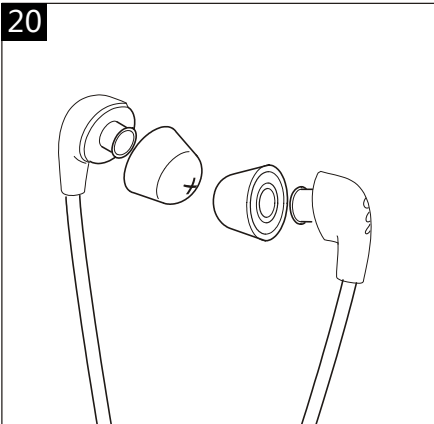
18



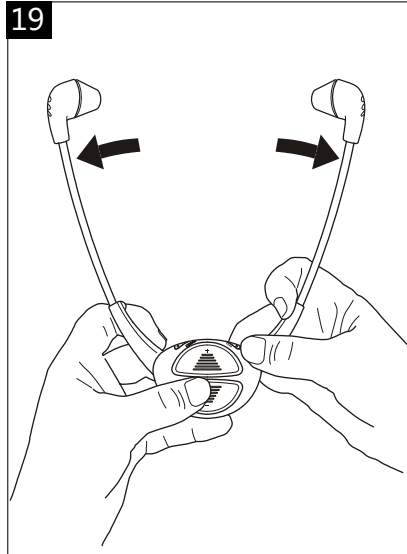
Base: Switch power off at Base.

Press and hold down 'CH' button, switch power back on, continue to hold 'CH' button until both lights on the front start flashing.
Base is ready for pairing.

20



19



Headset: Press and hold down the '-' (minus) button.

While holding the button, open arms and the green indicator lights up. When light starts flashing pairing is complete.

Cleaning & Maintenance

Note: DO NOT use alcohol, chemical or spirit based cleaning agents.

Wipe Base and Headset clean with a damp cloth.

Regularly remove and clean 'Ear pads' with warm soapy water.

Two types of ear pad are supplied, select the most suited to yourself.

Spare/replacement parts

Spare parts are available from either the original place of purchase or by calling the Customer Helpline Telephone:

01707 384438

1. Battery (x2)
2. Additional Headsets
3. Ear pads (both types x 2)

Customer support

For product support and help, visit our website at www.geemarc.com

For our Customer Helpline Telephone:

01707 384438

Fax: 01707 832529

General information

Specifications

Digital 2.4 GHZ AFHSS transmission (Adaptive Frequency Hopping) - CD sound quality!

79 channels (20 hopping channels)

Receiving amplification: up to 125dBspl.

Frequency response: 45 - 15000Hz.

Operating range: outdoors up to 100 meters and Indoors up to 25m.

Continuous usage time: up to 3 hours (per battery).

Charged when you need it - Headset recharges itself when placed back into Base unit.

Base unit has a charging port for the extra battery.

3.5mm audio input stereo jack access in Base unit.

2.5mm microphone input jack access in Base unit.

Weight: 50g.

Guarantee

From the moment your Geemarc product is purchased, Geemarc guarantee it for the period of one year. During this time, all repairs or replacements (at our discretion) are free of charge. Should you experience a problem then contact our Helpline or visit our website at www.geemarc.com.

The guarantee does not cover accidents, negligence or breakage to any parts.

The product must not be tampered with or taken apart by anyone who is not an authorised Geemarc representative.

The Geemarc guarantee in no way limits your legal rights.

Important: YOUR RECEIPT IS PART OF YOUR GUARANTEE AND MUST BE RETAINED AND PRODUCED IN THE EVENT OF A WARRANTY CLAIM.

Please note: The guarantee applies to the United Kingdom only.

EEC Declaration

Geemarc Telecom SA hereby declares that this product is in compliance with the essential requirements and other relevant provisions of the Radio and Telecommunications Terminal Equipment Directive 1999/5 EEC and in particular article 3 section 1a, 1b and section 2.

The declaration of conformity may be consulted at www.geemarc.com

Disposal information



Disposal of old electrical & electronic equipment (applicable in the European Union and other European countries with separate collection systems)

The symbol on the product or its packaging indicates that this product may not be treated as household waste. Instead it should be handed over to the applicable collection point for the recycling of electrical and electronic equipment.

By ensuring this product is disposed of correctly, you will help prevent potential negative consequences for the environment and human health, which could otherwise be caused by inappropriate waste handling of this product.

For more detailed information about recycling this product, please contact your local council office, your household waste disposal service or the shop where the product was purchased.



UGCL7310_En_v1.1

geemarc UNITED KINGDOM

5 Swallow Court
Swallowfields
Welwyn Garden City
Hertfordshire, AL7 1SB
For product support.
01707 384438

www.geemarc.com

geemarc FRANCE

Parc de l'Etoile
2, rue Galilée 59791
GRANDE SYNTHÉ CEDEX
TEL. SERVICE APRES VENTE.
03 28 58 75 99

www.geemarc.com