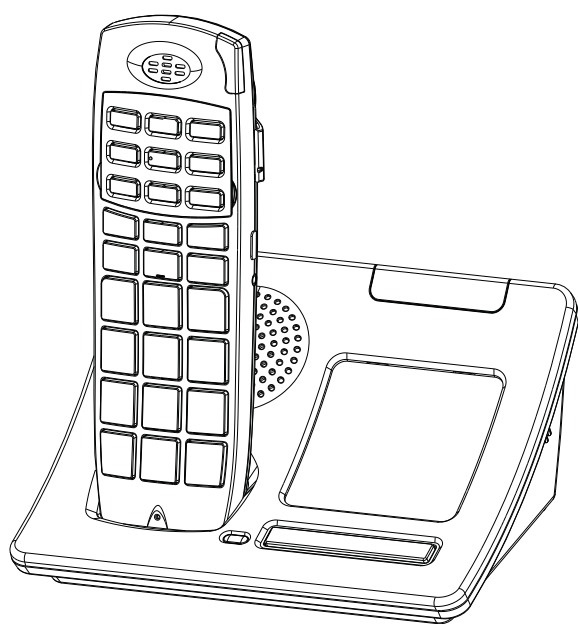


Quick Guide

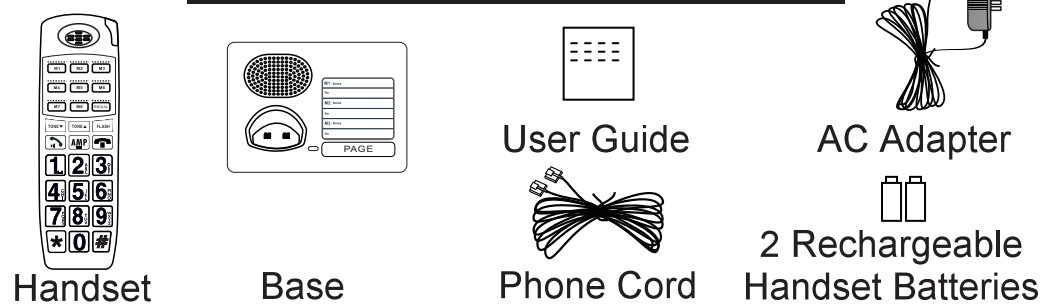
**Model CL-65**

Amplified DECT Telephone with Talking CID & Talk-Back Feature

Serene Innovations, Inc.  
14615 Carmenita Rd.  
Norwalk, CA 90650  
Tel: 562 407 5400

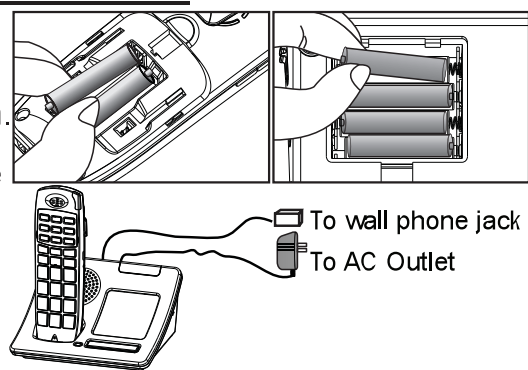


**CONTENTS AND PARTS CHECKLIST**



**INSTALLATION DIAGRAM**

1. Install rechargeable batteries in handset (included) and base (batteries not included) as shown.
2. Connect AC adapter and phone cord to the base as shown.
3. Charge handset for 24 hours before use.



**Answering a call**

1. Press button when phone rings. (Press to engage speakerphone if need).
2. Press button to end the call.

**Making a Call**

1. Enter phone number in idle mode.
2. Press button to go on-line and dial. (Press to engage speakerphone if need).
3. Press button to end the call.

**AMP Function, Volume & Tone Controls**

1. During a call, Press button to toggle amplify function. **Caution:** When it is On (illuminated), an extra level of amplification is added to the receiver volume.
2. Press Volume buttons (on the side) to adjust the volume level (5 settings).
3. While is ON, press or buttons to select a tone setting (4 settings) for best voice clarity.

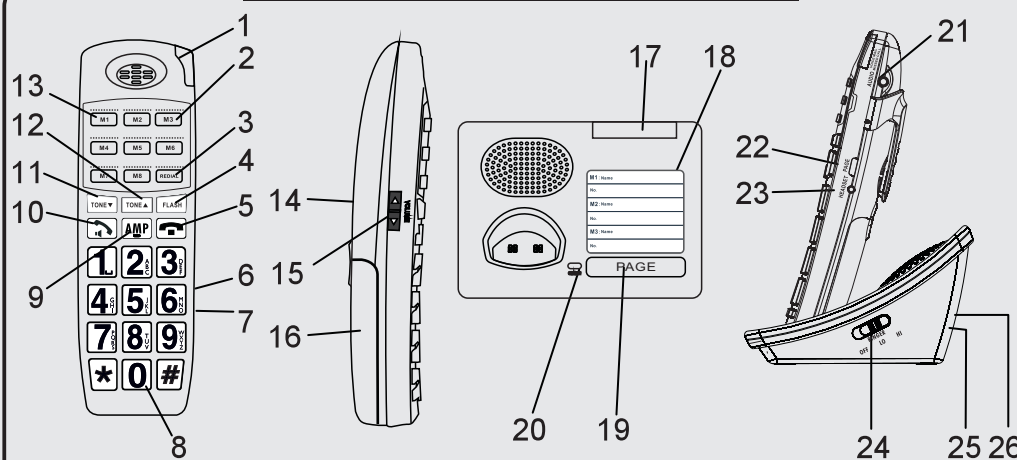
**Programming One-Touch Memories**

1. While **off-line**, enter phone number.
2. Press and hold (or M1 to M8) for 5 seconds to save.

**Dial from a One-Touch Memory**

1. While **off-line**, press to select.
2. Press to go on-line and dial.
3. Press to end the call.

**FEATURE LIST and OVERVIEW**



1. **In-Use / Ring Flasher / Voice mail / Missed Call** indicator
2. **M2 to M8** buttons: One - touch memories
3. button: Redial / Pause
4. button: Generates a "Flash" signal to activate call waiting
5. button: Press to end a call.
6. **Auto-Amplifier Switch:** Enables automatic function.
7. **Talking CID/ Talking Keypad Switch:** (6 & 7 are in battery compartment).
8. **Keypad**
9. (Amplify) button with indicator: Press to engage extra handset receiver amplification.
10. button: Press to make or answer a call. During a call, press to engage speakerphone.
11. button: For tone control and ringer volume setting.
12. button: For tone control and ringer tone setting.
13. **M1** button: One-touch that activates speakerphone.
14. **Speaker**
15. VOLUME Up/Down (side)
16. **Battery Compartment Cover**
17. **Base Flasher / In-Use** Indicator
18. **One-Touch Memory Directory** Label
19. **Page** Button: Press to page all registered handsets
20. **Charging** Indicator
21. **Audio** Jack: For receiver audio output.
22. **Page** button: Press to intercom or transfer a call.
23. **Headset** Jack
24. **Base Ringer Volume Control**
25. **AC Adapter** Jack (rear): For connection to power
26. **Phone JACK** (rear): For connection to phone line.

**Reset Missed Call Indicator**

While off-line, press and hold button for 5 seconds to reset.

**Power Down A handset**

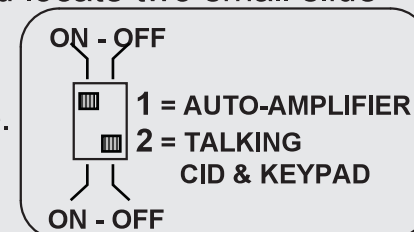
1. While off-line, hold for 5 seconds to power down.
2. To power up, press and hold for 5 seconds.
3. Wait for a confirmation tone before using. This indicates handshaking has been established with base.

**Register A New Handset**

1. Press and hold button on base for 5 seconds so it goes into Registration mode (confirm by a double beep & flashing LED).
2. Press and hold on handset to register.
3. Wait for a confirmation tone.

**Automatic AMP & Talking Switches**

1. Open battery compartment and locate two small slide switches.
2. Set Switch 1 to ON if you want to be ON every time.
3. Set Switch 2 to ON for talking CID and talking keypad.



**Language Switch**

1. Locate Language switch in the battery compartment.
2. Move switch to select English or French.