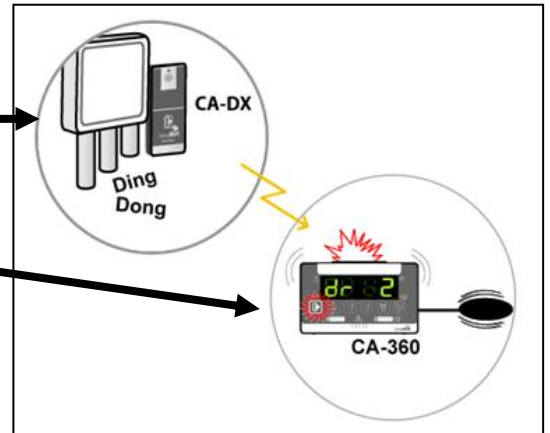




CentralAlert™ DOOR CHIME / INTERCOM & DOOR KNOCKING SENSOR, CA-DX, #CA2004



Install on the Door
Chime / Intercom
or the door
&
receive notification
on your CA-360 when
there is a visitor.



Install device on
“existing door chime” or “intercom door announcer”
for vibration detection.

When someone rings your door bell, it detects vibration and sends a wireless signal to trigger the CA360 to alert. Or, you can attach the CA-DX to the inside surface of your door to detect the knocking on your door.

Product Features

- **Weight 2 oz. Size 2.5" x 3.8" x 1"**
- **Advanced Technology: 2.4 Ghz Smart-Code**
- **Operating range: Up to 200ft, open space- actual distance varies according to house construction.**
- **Simple to install with adjustable sensitivity to avoid false alarms**
- **2.5mm Jack for direct connection to your existing doorbell/door chime.**
- **Battery type: Two AA size alkaline**
- **Battery life: up to 10 months**
- **Operating temperature: + 10 to +30°C**